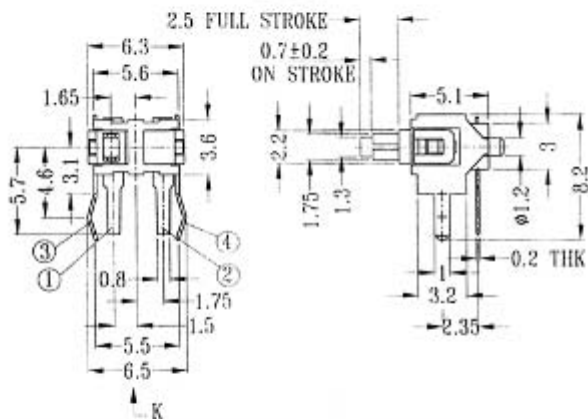
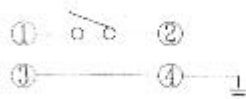


VIEW K



## CIRCUIT DIAGRAM



## SPECIFICATIONS

Rating: DC 30V 0.1A

