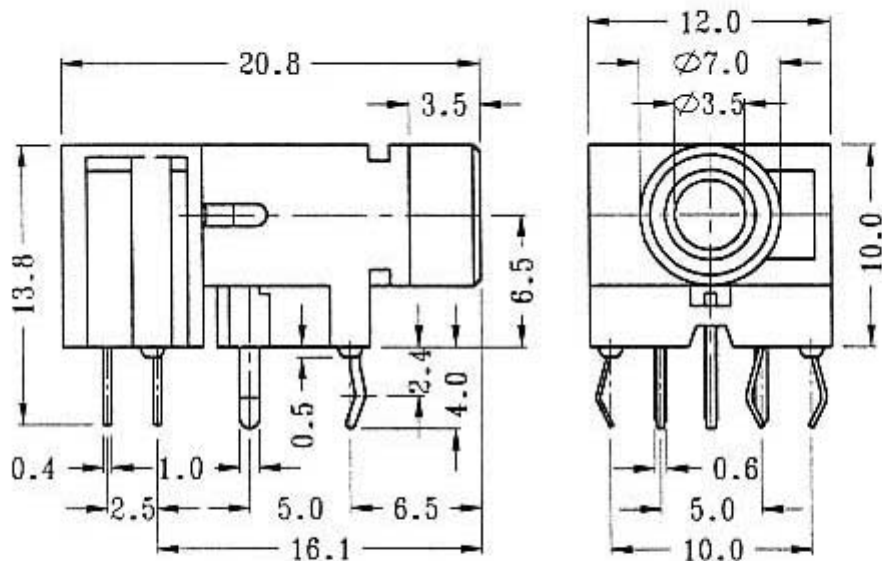


ST-413-W(3.5mm)

SERIES



CIRCUIT DIAGRAM

SPECIFICATIONS



Rating : 0.3A 30V DC
Function: STEREO W/1P2T

