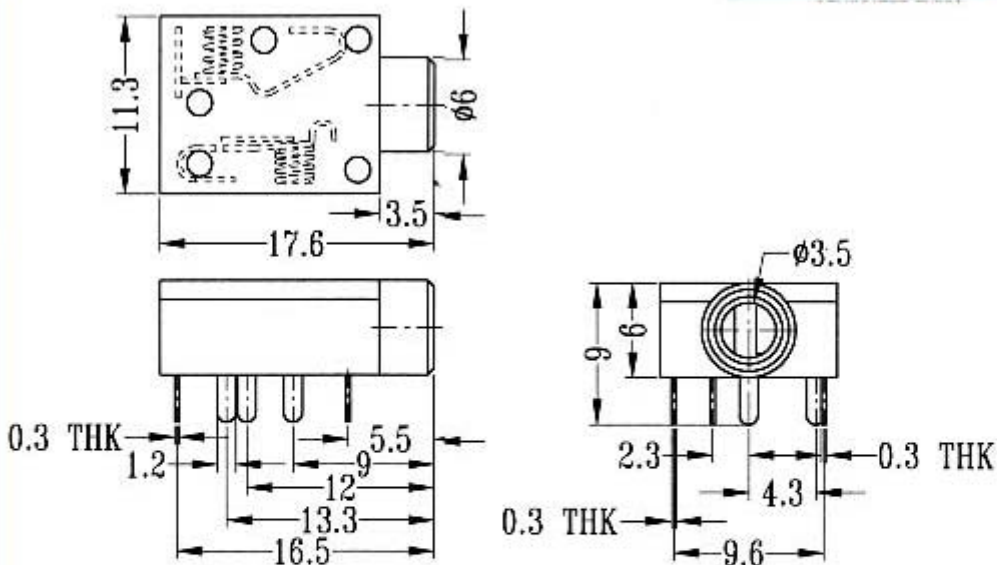
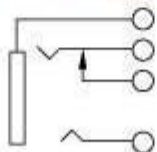


# ST-214-C ST-214-N



## CIRCUIT DIAGRAM



## SPECIFICATIONS

Rating : 0.3A 30V DC  
Optional Accessory: AZ-004

