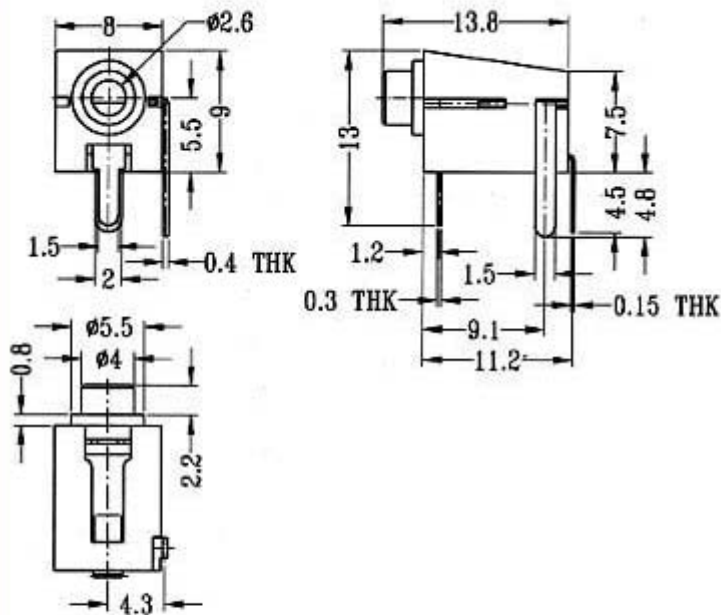
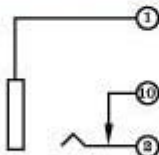


# PY-401 (2.5mm) (SERIES)



OLD MODEL NO.	FUNCTION	BUSHING	CONTACT FORM
PY-401-N	MONO	UN-THREADED	3
PY-401-C	MONO	THREAD	3

## CIRCUIT DIAGRAM



## SPECIFICATIONS

Optional Accessory: AZ-005  
 Rating : 0.3A 30V DC

