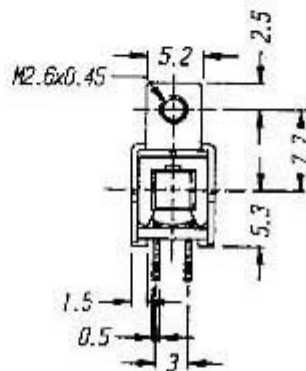
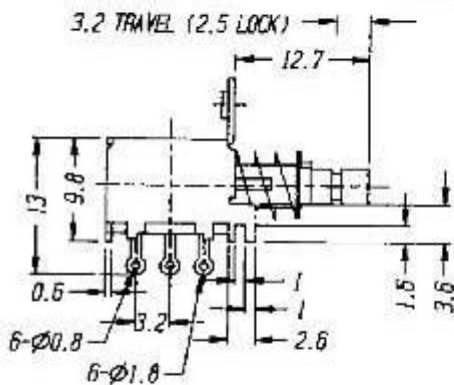
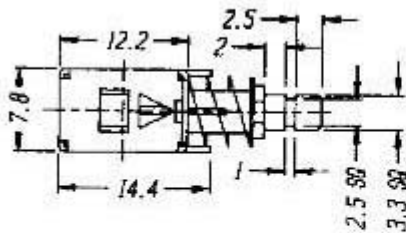
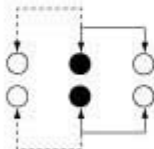


PS-22F20

(LOCKED)



CIRCUIT DIAGRAM



SPECIFICATIONS

N NON-SHORTING

Rating : 0.3A 50V DC

Function: 2P2T

