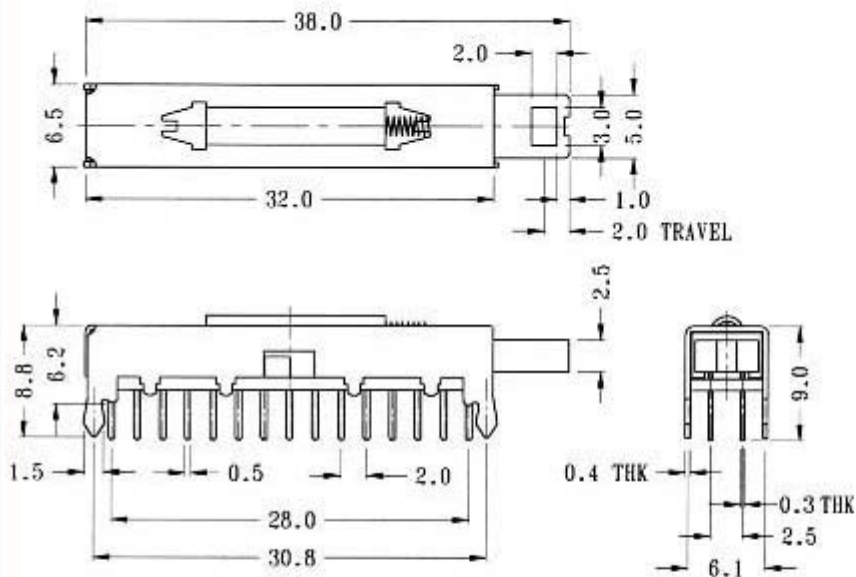
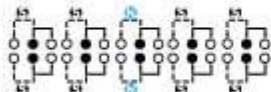


# PS-102D05



## CIRCUIT DIAGRAM



## SPECIFICATIONS

Rating : 0.3A 50V DC  
Function: 10P2T  
( SPRING RETURN )

