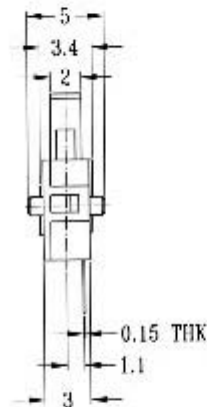
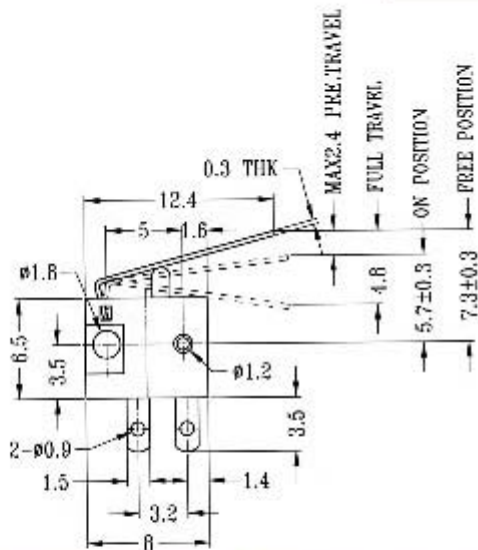


MX1201 (WITH LEVER)

MX1202 (WITHOUT LEVER)



CIRCUIT DIAGRAM

SPECIFICATIONS



Rating: 0.1A 30V DC

Function: 1P1T

OPERATING FORCE: 20gf ± 10gf

INITIAL CONTACT RESISTANCE 100mΩ MAX

