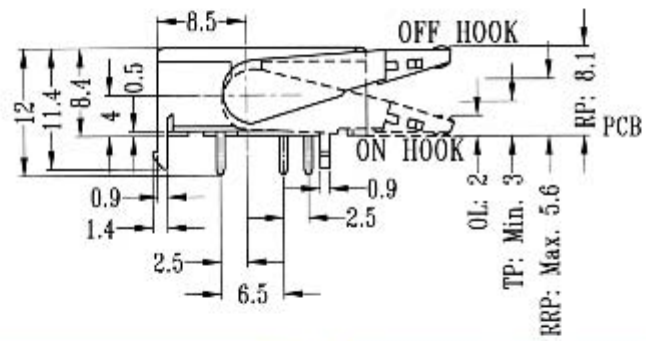
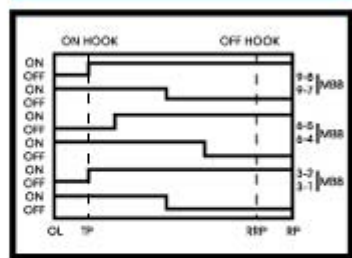
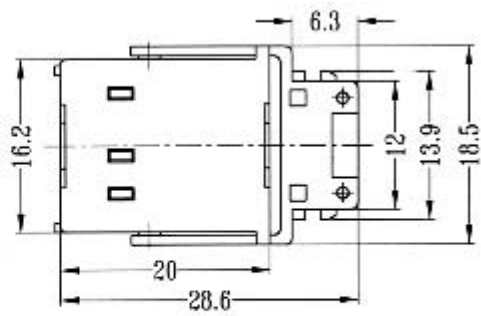
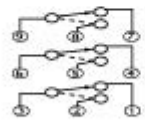


# HS-32L09



## CIRCUIT DIAGRAM



## SPECIFICATIONS

Function: 3P2T

