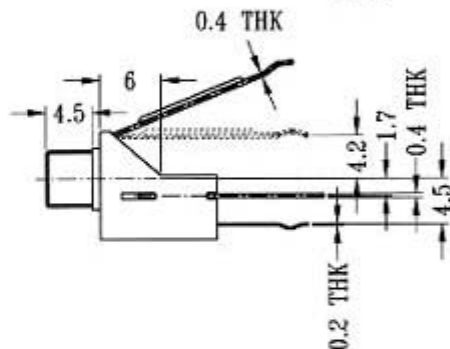
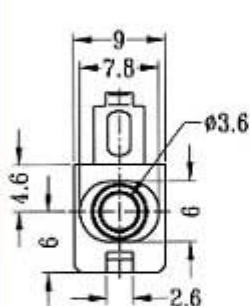
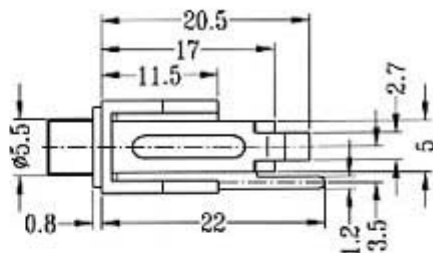


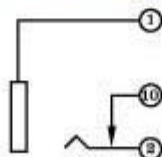
EY-504-NR

(4.5mm)

BUSHING	UN-THREATED
BUSHING COLOR	NICKEL
CONTACT FORM	3



CIRCUIT DIAGRAM



SPECIFICATIONS

Rating : 0.3A 30V DC

