

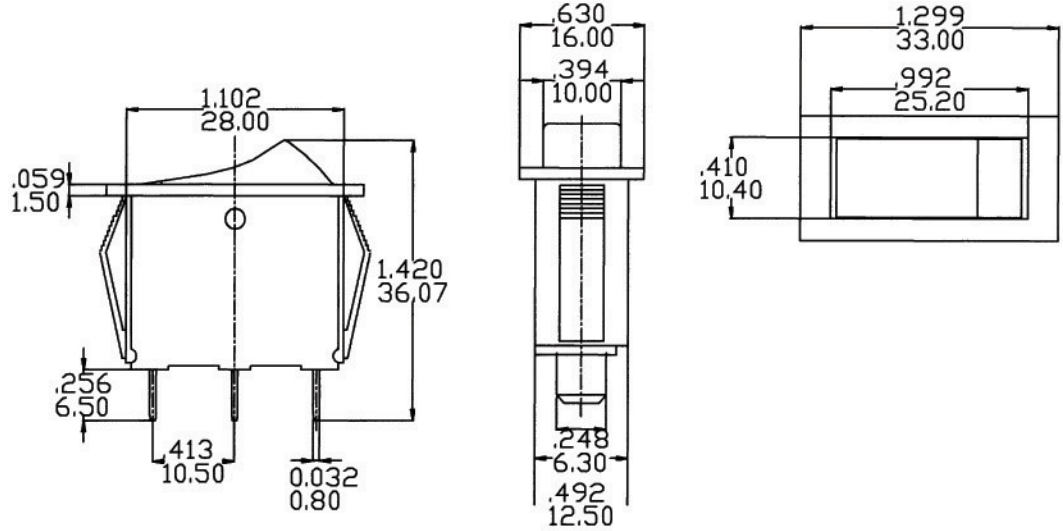
SPECIFICATIONS:

OPERATING VOLTAGE: 125VAC.
 RATED CURRENT: 15A.
 DIELECTRIC STRENGTH: 1,000V 1 min.
 OPERATING FORCE: 400gf±200gf.
 SOLDERING: 300°C (less than 2 seconds).
 RATED CURRENT 200%: Trip time 3-60 seconds.
 HEAT ENDURANCE: Below 85°C.

MATERIALS:

KNOB: PC.
 HOUSING: Nylon.
 COVER: Nylon.
 SUPPORT: Nylon.
 TERMINAL: Brass, silver plated.
 CONNECT: B1-metal.

T25



VOLTAGE OPTIONS

Code	Voltage
11	125VAC
22	220VAC

AMP OPTIONS

Code	Amp	Code	Amp	Code	Amp	Code	Amp	Code	Amp
03	3A	05	5A	07	7A	09	09A	12	12A
04	4A	06	6A	08	8A	10	10A	15	15A

TERMINATION OPTIONS

Code	Terminal
L	Quick Terminal #250
S	Solder Terminal

LAMP OPTIONS

Code	Lamp
0	Without
1	With

HOW TO ORDER

