

ROTARY CODE SWITCHES

SPECIFICATIONS

- OPERATING VOLTAGE:** 24 VDC maximum.
- SWITCHING CURRENT :** 100 mA maximum.
- CARRYING CURRENT :** 0.5A maximum.
- CONTACT RESISTANCE :** 100 mΩ maximum.
- INSULATION RESISTANCE :** 1000MΩ minimum.
- DIELECTRIC STRENGTH :** 300VAC for 1 minute.
- OPERATING TEMPERATURE :** -10 °C to 70 °C.
- SOLDERING TEMPERATURE :** 250 ± 5 °C for 5 seconds.
- LIFE :** 10,000 step operations minimum.

MATERIALS

- HOUSING :** PBT plus glass fiber (UL94V-0).
Color:Black & Blue.
- SHAFT :** PBT plus glass fiber (UL94V-0).
Color:White & Red.
- CONTACT :** Copper alloy, with 10 micro inches gold plate over nickel plate.
- TERMINALS/CONTACTS :** Copper alloy, with gold plate over nickel plate.

HOW TO ORDER

Series

Termination

Shafts

Code

- RS : Standard type
- RR : Right angle type
- RI : Right angle type
- RM : SMT Standard type
- RT : SMT Right angle type
- RJ : SMT Right angle type

- 4 : 4pin & 1pin
- 3 : 3pin & 3pin
- 2 : 2pin & 3pin

- 00 : Flush
- 03 : 3.0 mm
- 07 : 7.0 mm
- 13 : With Wheel

- 11: BCD - 8 Position
- 12: BCD - 10 Position
- 14: BCD - 16 Position
- 31: BCD - Compl.10 Position.
- 33: BCD - Compl.16 Position.
- 00: Others

CODE NO : 11
BCD - 8 POSITION

CODE NO : 12
BCD - 10 POSITION

CODE NO : 14
BCD - 16 POSITION

CODE NO : 31
BCD COMPLEMENT
-10 POSITON

CODE NO : 33
BCD COMPLEMENT
- 16 POSITON

Position	Commen C-Contacted				
	1	2	4	8	C
0					●
1	●				●
2		●			●
3	●	●			●
4			●		●
5	●		●		●
6		●	●		●
7	●	●	●		●

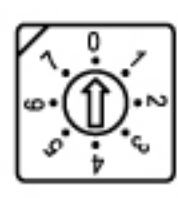
Position	Commen C-Contacted				
	1	2	4	8	C
0					●
1	●				●
2		●			●
3	●	●			●
4			●		●
5	●		●		●
6		●	●		●
7	●	●	●		●
8			●		●
9	●		●		●

Position	Commen C-Contacted				
	1	2	4	8	C
0					●
1	●				●
2		●			●
3	●	●			●
4			●		●
5	●		●		●
6		●	●		●
7	●	●	●		●
8			●		●
9	●		●		●
A	●		●		●
B	●		●		●
C			●		●
D	●		●		●
E	●		●		●
F	●		●		●

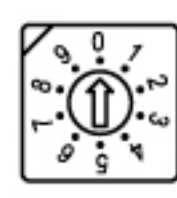
Position	Commen C-Contacted				
	1	2	4	8	C
0	●	●	●	●	●
1		●	●	●	●
2	●		●	●	●
3			●	●	●
4	●	●		●	●
5		●		●	●
6	●			●	●
7				●	●
8	●	●	●		●
9		●	●		●

Position	Commen C-Contacted				
	1	2	4	8	C
0	●	●	●	●	●
1		●	●	●	●
2	●		●	●	●
3			●	●	●
4	●	●		●	●
5		●		●	●
6	●			●	●
7				●	●
8	●	●	●		●
9		●	●		●
A	●		●		●
B	●		●		●
C	●	●			●
D		●			●
E	●				●
F					●

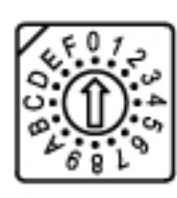
RS30X XX CODES



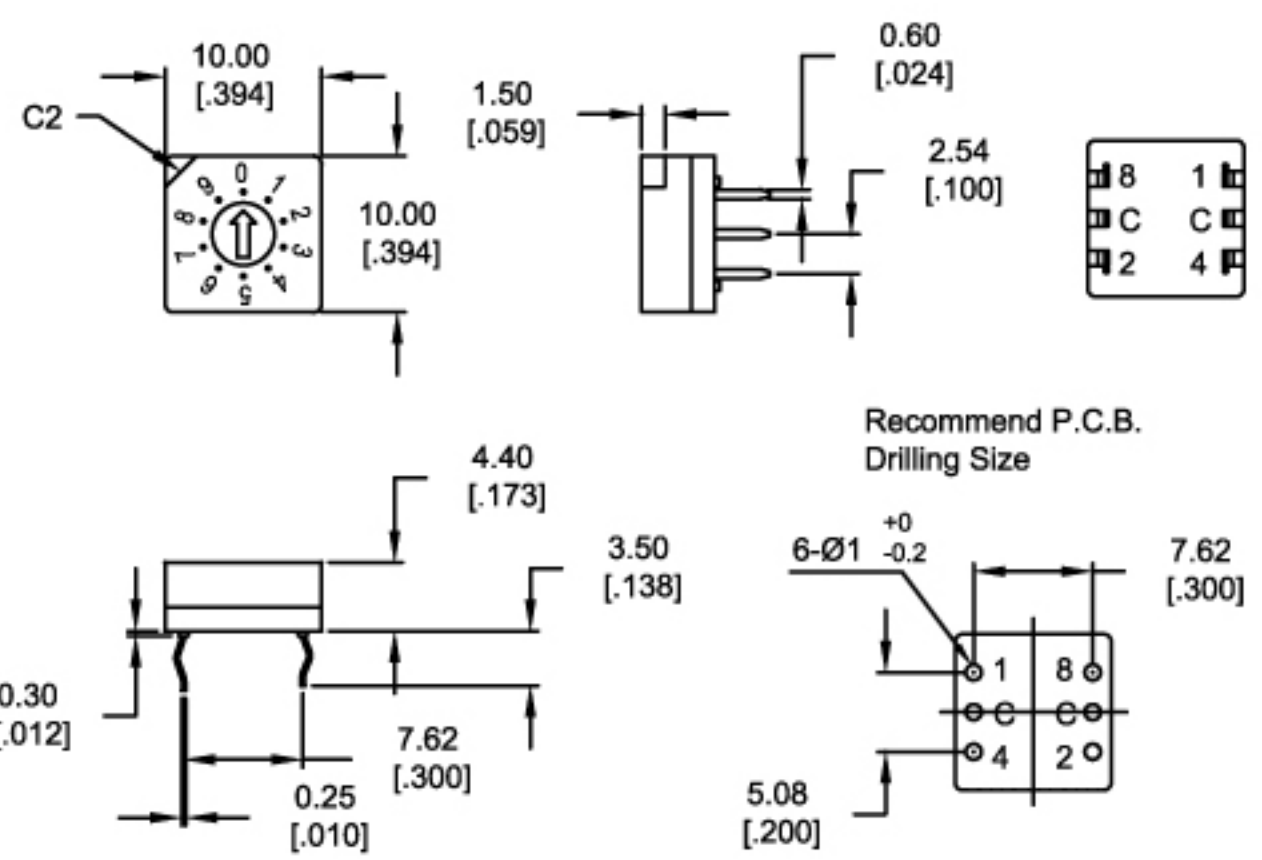
8 Positions



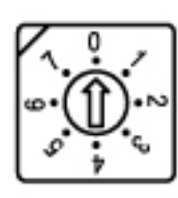
10 Positions



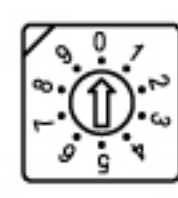
16 Positions



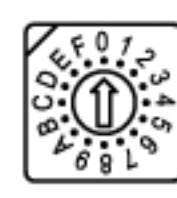
RR30X XX CODES



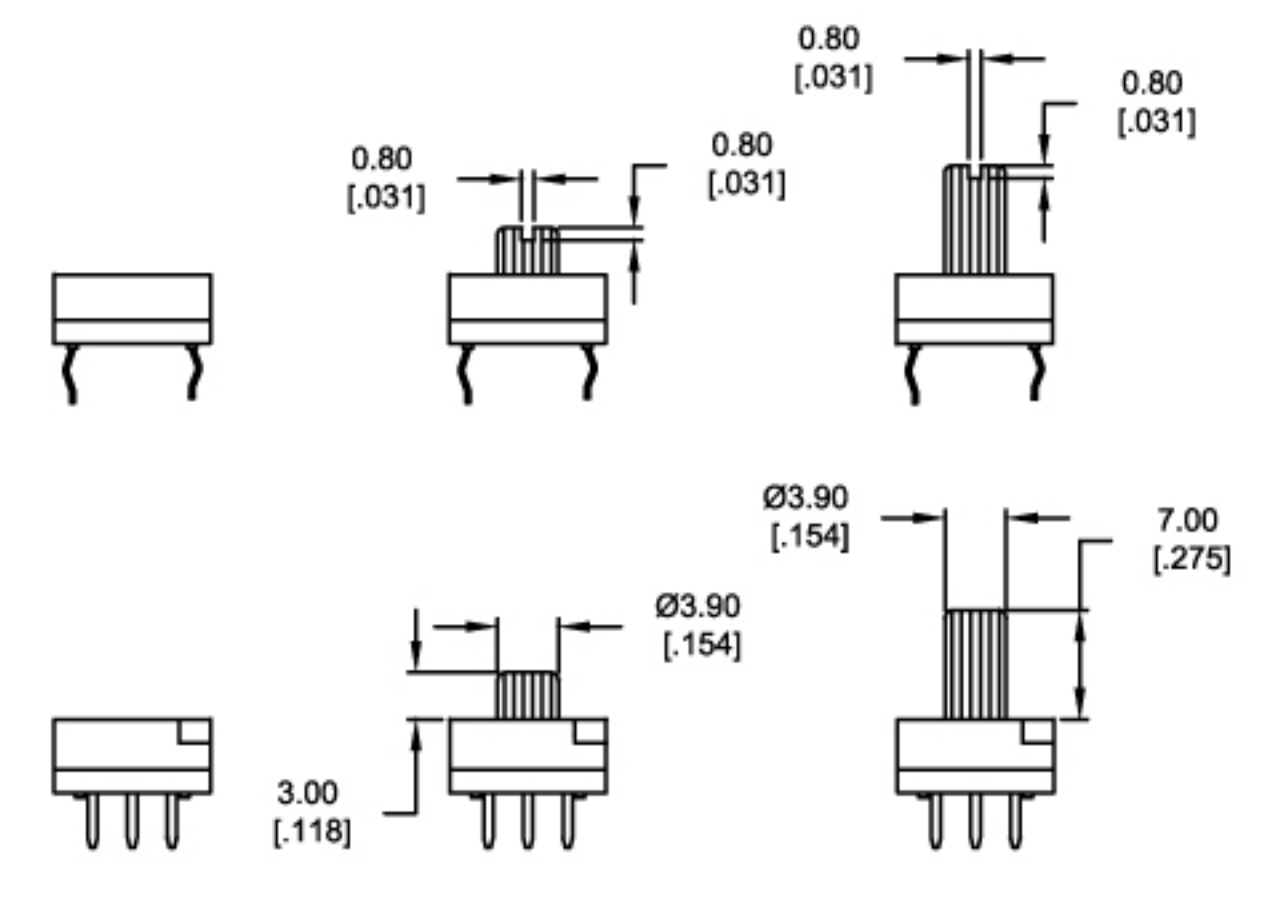
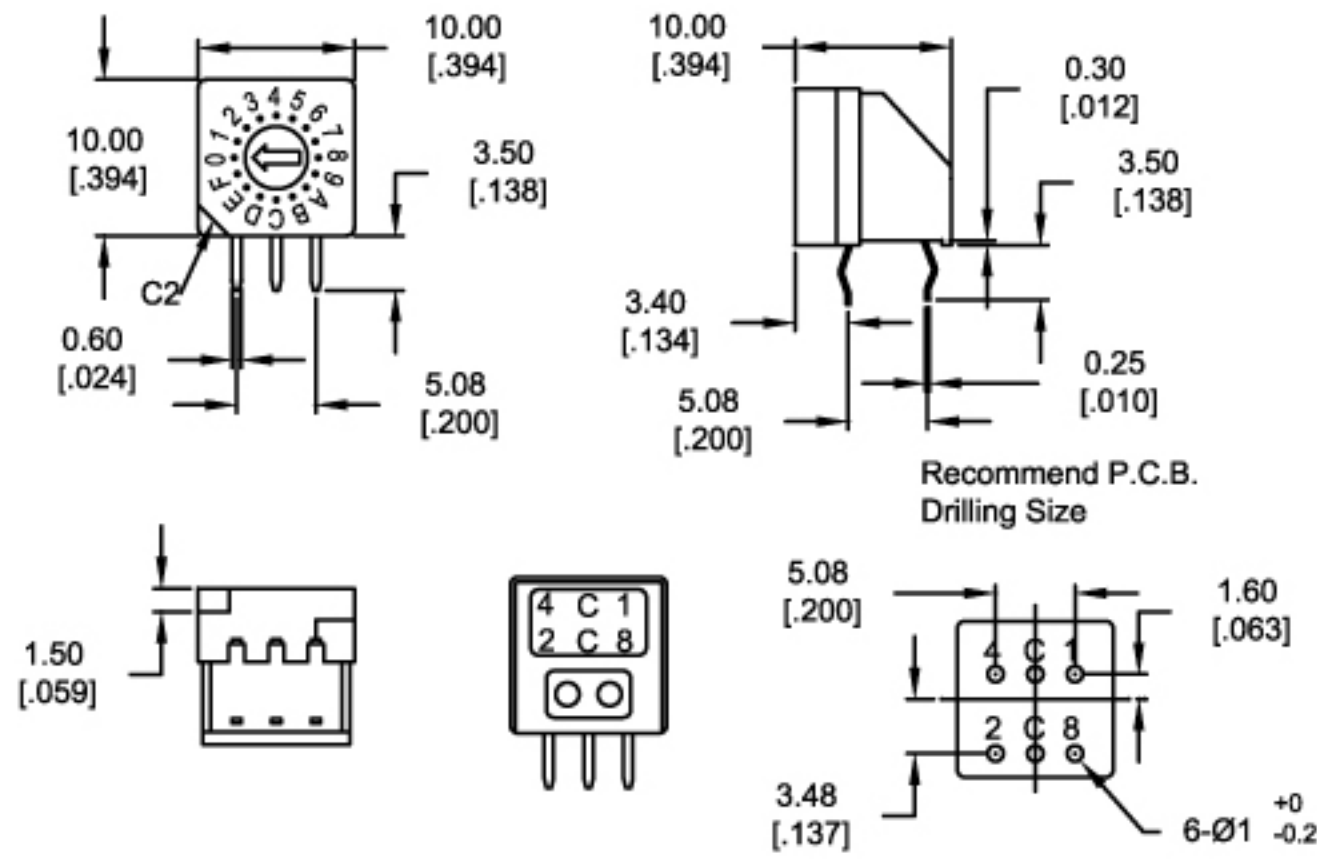
8 Positions



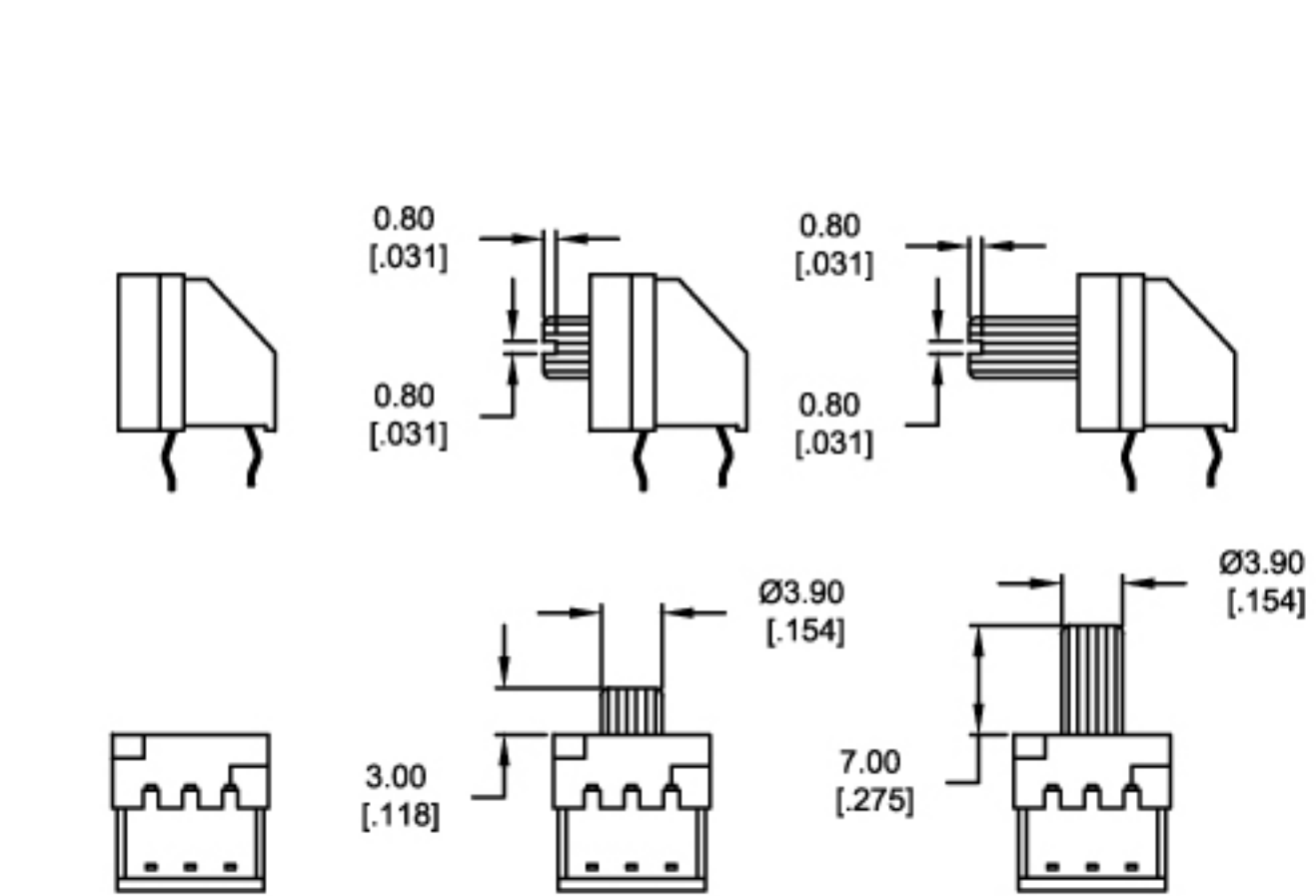
10 Positions



16 Positions



RS300 **RS303** **RS307**



RR300 **RR303** **RR307**

RS313 XX CODES



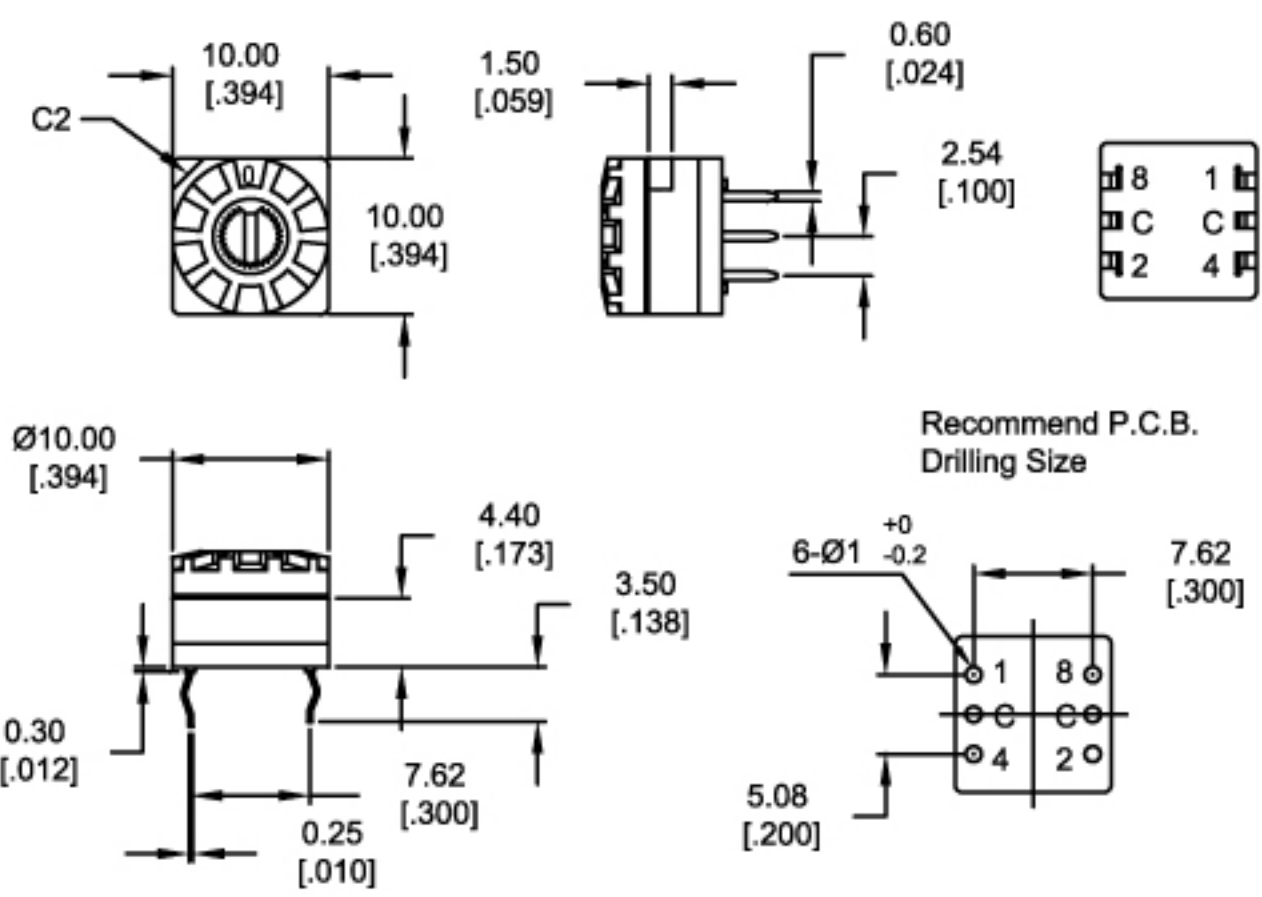
8 Positions



10 Positions



16 Positions



RR313 XX CODES



8 Positions



10 Positions



16 Positions

