

Use this line of tough, versatile resistors for motor starting and speed control, neutral grounding, lighting ballasts, and A.C. compressor buffers. They also make excellent heaters. Choose from 45 models ranging from 0.25 to 250 Ohms to best fit your specific application requirements.

Resistors feature nickel-copper, nickel-chrome or stainless steel wire wound in a double helix around the center core, depending on size and model. All have ceramic cores with a spiral groove to grip the coiled wire. The 90° flat bus style terminals are corrosion resistant stainless steel.

Other mounting options are available; contact us about your specific requirements.

SPECIFICATIONS

Electrical

Current Rating:

1.0 - 32.0 Amps continuous

Wattage Rating: Wattages can be calculated using I^2R from the data in the table at left. These are maximums for continuous duty allowing a 375°C temperature rise.

Working Voltage: Standard is 600 volts maximum to ground.

Resistance Tolerance: ±10% Standard. Others available

Ohmic Values: Ohmic values listed in the table below are at 25°C ±10%.

Mounting: Resistors can be mounted in various options.

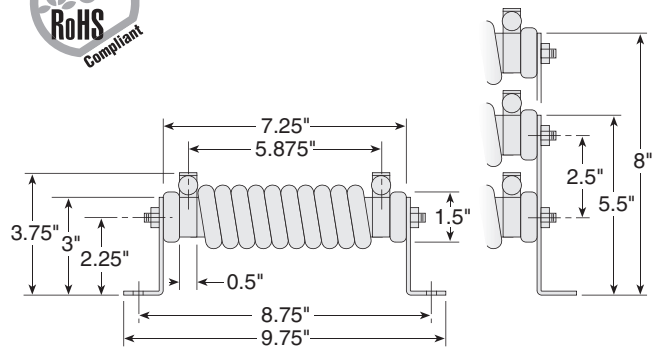
Ordering Information

List the Ward Leonard part number from the table at left with the appropriate quantities for each. Inquires are welcome regarding special resistance values, frames, screened enclosures, heat shields and packages.

Heliohm Wirewound



WLRH Series



Part Number	Ohms	Continuous Amp Rating	Part Number	Ohms	Continuous Amp Rating
WLRHR25	0.25	32	WLRH7R0	7	7.3
WLRHR30	0.3	31	WLRH7R5	7.5	7.2
WLRHR33	0.33	30	WLRH8R0	8	7.1
WLRHR35	0.35	29	WLRH8R5	8.5	7
WLRHR50	0.5	27	WLRH8R6	8.6	6.8
WLRHR70	0.7	22	WLRH10R	10	6.2
WLRH1R0	1	18	WLRH11R	11	6.1
WLRH1R4	1.4	15.5	WLRH11R5	11.5	5.9
WLRH1R5	1.5	15	WLRH12R	12	5.8
WLRH1R9	1.9	13.3	WLRH15R	15	5.3
WLRH2R0	2	13	WLRH20R	20	4.6
WLRH2R2	2.2	12.5	WLRH27R	27	3.6
WLRH2R5	2.5	12	WLRH36R	36	3
WLRH3R2	3.2	10.8	WLRH45R	45	2.5
WLRH3R5	3.5	10.5	WLRH62R	62	2
WLRH4R0	4	10	WLRH80R	80	1.8
WLRH4R6	4.6	9.2	WLRH100	100	1.6
WLRH4R8	4.8	8.8	WLRH125	125	1.4
WLRH5R0	5	8.5	WLRH150	150	1.3
WLRH5R5	5.5	8	WLRH175	175	1.2
WLRH5R8	5.8	7.7	WLRH200	200	1.1
WLRH6R0	6	7.6	WLRH250	250	1
WLRH6R5	6.5	7.4			