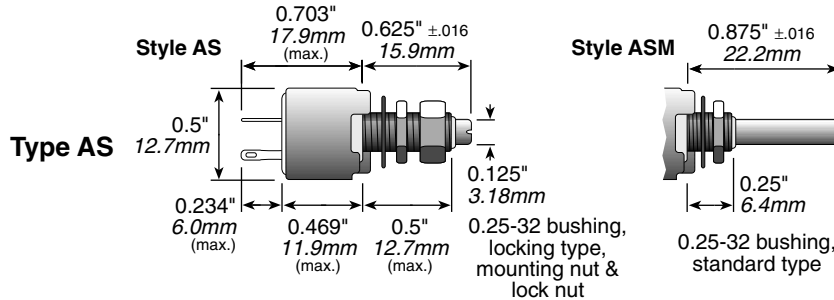
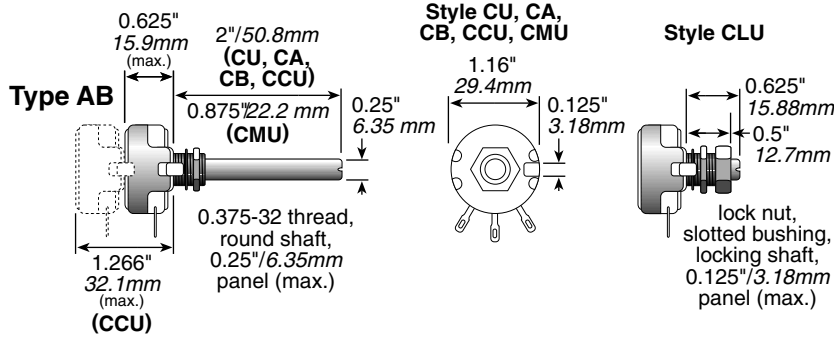


Potentiometers

Molded composition



Ohmite molded composition potentiometers are available in various models for applications in military devices, industrial equipment and in equipment requiring a convenient resistance control device.

FEATURES

- Low noise, smooth operation
- In accordance with "Mii" RV4N, RV4L, RV6L, RV6N, 2RV7N types
- RoHS compliant product available Jan. 2006 Add "E" suffix to part number to specify.

SPECIFICATIONS

Electrical

Derating: linear from 100% at +70°C to 0% at +120°C

Operating temp. range: -55°C to 120°C

Material

Construction: Elements molded into a single, integral structure. Metal cover protects and shields the internal parts.

Sealing: synthetic resin containing non-mercurial fungicide

***RoHS-compliance:** Add "-E" to part number for RoHS-compliant lead-free zinc-nickel plated product

Since all rheostats/potentiometers are electro-mechanical devices, they are subject to mechanical wear and, therefore, have a finite life.

| Model | Watts | Ohmic range | Behind panel (ln./mm) | Diameter (ln./mm) | Rotation | Voltage (RMS) |
|-------|-------|-------------|-----------------------|-------------------|----------|---------------|
| AS | 0.5 | 50-5M | 0.703/17.9 | 0.50/12.7 | 295° ±5° | 350 |
| ASM | 0.5 | 50-5M | 0.703/17.9 | 0.50/12.7 | 295° ±5° | 350 |
| CA | 2.0 | 50-5M | 0.625/15.9 | 1.16/29.4 | 312° ±3° | 500 |
| CB | 2.0 | 50-5M | 0.625/15.9 | 1.16/29.4 | 312° ±3° | 500 |
| CU | 2.0 | 50-5M | 0.625/15.9 | 1.16/29.4 | 312° ±3° | 500 |
| CCU | 2.0 | 50-5M | 0.625/15.9 | 1.16/29.4 | 312° ±3° | 500 |
| CLU | 2.0 | 50-5M | 0.625/15.9 | 1.16/29.4 | 312° ±3° | 500 |
| CMU | 2.0 | 50-5M | 0.625/15.9 | 1.16/29.4 | 312° ±3° | 500 |

STANDARD PART NUMBERS FOR STANDARD RESISTANCE VALUES

| Ohmic value | MIL Designation | | | | | | | | | | Ohmic value | MIL Designation | | | | | | | | | | | | | | | |
|-------------|-----------------|--------|-----------------|--------|-----|----|----|----|-----|-----|-------------|-----------------|--|---------|--------|-----------------|--------|-----|----|----|----|-----|-----|---------|---------|---------|---------|
| | Prefix | Suffix | Part No. Prefix | Suffix | CMU | CU | CA | CB | CLU | CCU | | RV6LAYS | RV6NAYS | Prefix | Suffix | Part No. Prefix | Suffix | CMU | CU | CA | CB | CLU | CCU | RV6LAYS | RV6NAYS | | |
| 50 | 500A | 5001 | ✓ | ✓ | ✓ | ✓ | ✓ | ✓ | ✓ | ✓ | ✓ | ✓ | 50,000 | 503A | 5031 | ✓ | ✓ | ✓ | ✓ | ✓ | ✓ | ✓ | ✓ | ✓ | ✓ | AS3609 | ASM6669 |
| 100 | 101A | 1011 | + | ✓ | ✓ | ✓ | ✓ | ✓ | ✓ | ✓ | ✓ | ✓ | AS3601 | ASM6661 | 75,000 | 753A | 7531 | + | ✓ | ✓ | ✓ | ✓ | ✓ | ✓ | ✓ | AS3610 | ASM6670 |
| 150 | 151A | 1511 | ✓ | ✓ | ✓ | ✓ | ✓ | ✓ | ✓ | ✓ | ✓ | ✓ | 100,000 | 104A | 1041 | + | ✓ | ✓ | ✓ | ✓ | ✓ | ✓ | ✓ | ✓ | AS3611 | ASM6671 | |
| 250 | 251A | 2511 | ✓ | ✓ | ✓ | ✓ | ✓ | ✓ | ✓ | ✓ | ✓ | ✓ | 150,000 | 154A | 1541 | ✓ | ✓ | ✓ | ✓ | ✓ | ✓ | ✓ | ✓ | ✓ | AS3612 | ASM6672 | |
| 350 | 351A | 3511 | ✓ | ✓ | ✓ | ✓ | ✓ | ✓ | ✓ | ✓ | ✓ | ✓ | 250,000 | 254A | 2541 | ✓ | ✓ | ✓ | ✓ | ✓ | ✓ | ✓ | ✓ | ✓ | AS3613 | ASM6673 | |
| 500 | 501A | 5011 | ✓ | ✓ | ✓ | ✓ | ✓ | ✓ | ✓ | ✓ | ✓ | ✓ | 350,000 | 354A | 3541 | ✓ | ✓ | ✓ | ✓ | ✓ | ✓ | ✓ | ✓ | ✓ | AS3614 | ASM6674 | |
| 750 | 751A | 7511 | ✓ | ✓ | ✓ | ✓ | ✓ | ✓ | ✓ | ✓ | ✓ | ✓ | 500,000 | 504A | 5041 | ✓ | ✓ | ✓ | ✓ | ✓ | ✓ | ✓ | ✓ | ✓ | AS3615 | ASM6675 | |
| 1,000 | 102A | 1021 | + | + | ✓ | ✓ | ✓ | ✓ | ✓ | ✓ | ✓ | ✓ | 750,000 | 754B | 7542 | ✓ | ✓ | ✓ | ✓ | ✓ | ✓ | ✓ | ✓ | ✓ | AS3616 | ASM6676 | |
| 1,500 | 152A | 1521 | ✓ | ✓ | ✓ | ✓ | ✓ | ✓ | ✓ | ✓ | ✓ | ✓ | 1,000,000 | 105B | 1052 | + | ✓ | ✓ | ✓ | ✓ | ✓ | ✓ | ✓ | ✓ | AS3617 | ASM6677 | |
| 2,500 | 252A | 2521 | + | ✓ | ✓ | ✓ | ✓ | ✓ | ✓ | ✓ | ✓ | ✓ | 1,500,000 | 155B | 1552 | ✓ | ✓ | ✓ | ✓ | ✓ | ✓ | ✓ | ✓ | ✓ | AS3618 | ASM6678 | |
| 3,500 | 352A | 3521 | ✓ | ✓ | ✓ | ✓ | ✓ | ✓ | ✓ | ✓ | ✓ | ✓ | 2,000,000 | 205B | 2052 | ✓ | ✓ | ✓ | ✓ | ✓ | ✓ | ✓ | ✓ | ✓ | AS3619 | ASM6679 | |
| 5,000 | 502A | 5021 | + | + | ✓ | ✓ | ✓ | ✓ | ✓ | ✓ | ✓ | ✓ | 2,500,000 | 255B | 2552 | ✓ | ✓ | ✓ | ✓ | ✓ | ✓ | ✓ | ✓ | ✓ | AS3620 | ASM6680 | |
| 7,500 | 752A | 7521 | ✓ | ✓ | ✓ | ✓ | ✓ | ✓ | ✓ | ✓ | ✓ | ✓ | 3,500,000 | 355B | 3552 | ✓ | ✓ | ✓ | ✓ | ✓ | ✓ | ✓ | ✓ | ✓ | AS3621 | ASM6681 | |
| 10,000 | 103A | 1031 | + | + | ✓ | ✓ | ✓ | ✓ | ✓ | ✓ | ✓ | ✓ | 5,000,000 | 505B | 5052 | ✓ | ✓ | ✓ | ✓ | ✓ | ✓ | ✓ | ✓ | ✓ | AS3622 | ASM6682 | |
| 15,000 | 153A | 1531 | ✓ | ✓ | ✓ | ✓ | ✓ | ✓ | ✓ | ✓ | ✓ | ✓ | * = Most popular standard values ✓ = Standard values + = Non-standard values subject to minimum handling charge per item Resistance values are for each unit comprising a dual potentiometer. * add "-E" for RoHS-compliant lead-free zinc-nickel plated product | | | | | | | | | | | | | | |
| 25,000 | 253A | 2531 | ✓ | ✓ | ✓ | ✓ | ✓ | ✓ | ✓ | ✓ | ✓ | ✓ | | | | | | | | | | | | | | | |
| 35,000 | 353A | 3531 | ✓ | ✓ | ✓ | ✓ | ✓ | ✓ | ✓ | ✓ | ✓ | ✓ | | | | | | | | | | | | | | | |