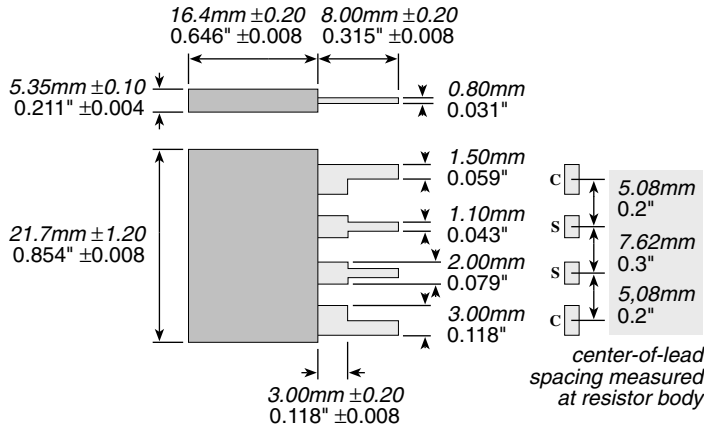


CS3 Series

Precision Current Sense Resistors RoHS Compliant



The resistor family line CS3, utilizes state of the art technology to provide a highly reliable resistor with a non inductive design. This makes the CS3 resistor ideal for many current monitoring and controls applications.

SPECIFICATIONS

Material

Terminal Material: Kelvin Terminals; silver plated & tinned
Encapsulation: Polyester over resistance element

Electrical

Standard Resistance Values:
1 mΩ - 50 mΩ

Resistance Tolerances: 1%, 2%, 5%

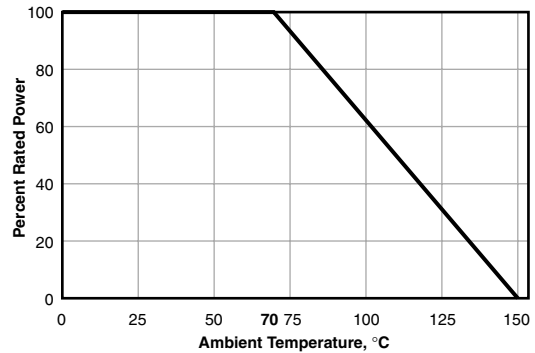
Temperature Coefficient: TC referenced to 25°C, ΔR taken at -15°C and +105°C, 60ppm/°C

Power Rating: 3W at 70°C max.
40Amp permanent

FEATURES

- Values beginning at 1 milliohm
- Non Inductive Design
- Four terminal Kelvin connection

DERATING



TEST DATA

Load Life	(1,000 hours at rated power at 70°C)	ΔR 0.2% max.
Moisture Resistance	(Mil-Std-202, Method 106, Cond. A)	ΔR 0.2% max.
Thermal Shock	(Mil-Std-202, Method 107)	ΔR 0.2% max.

STANDARD PART NUMBERS

Series Tolerance	CS3F 1%	Series Tolerance	CS3F 1%
Ohms		Ohms	
0.001	CS3FR001E	0.015	CS3FR015E
0.002	CS3FR002E	0.02	CS3FR020E
0.003	CS3FR003E	0.025	CS3FR025E
0.005	CS3FR005E	0.03	CS3FR030E
0.01	CS3FR010E	0.036	CS3FR036E
		0.05	CS3FR050E

ORDERING INFORMATION

C	S	3	J	R	0	5	0	E
Style	Tolerance	Ohms	R = Decimal	Non-compliant	RoHS Compliant			
	F = 1%			version not				
	J = 5%		Example:	recommended for				
	K = 10%		R010 = 0.010	new designs				
			R005 = 0.005					