

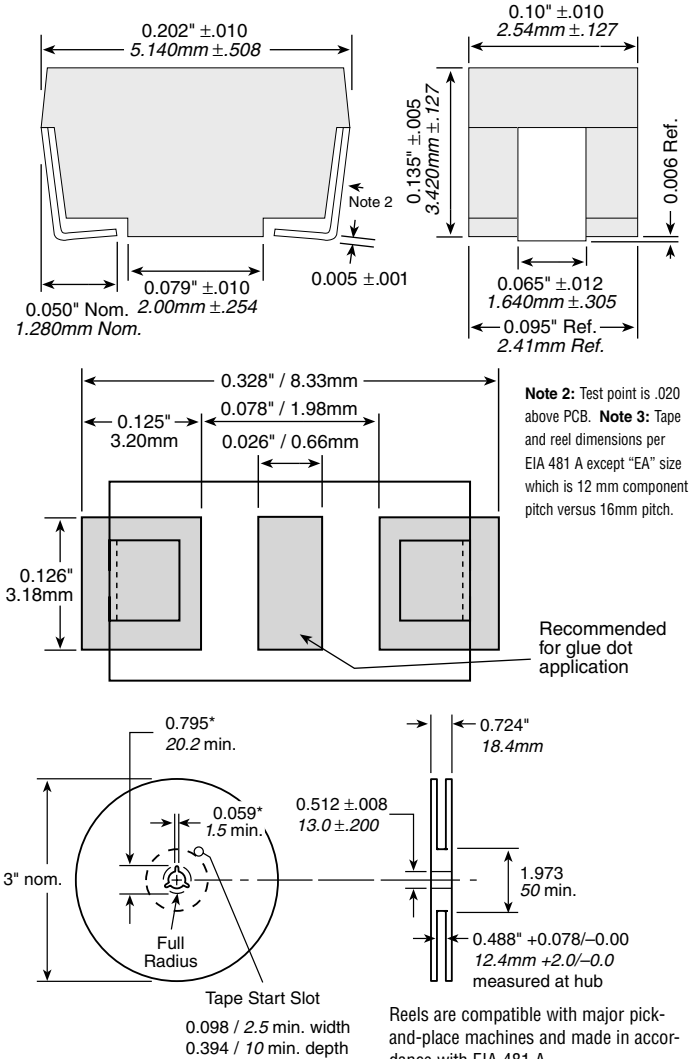
FEATURES

- 1% Tolerance standard
- Smallest wirewound on the market
- Able to withstand high inrush currents
- Available in low ohmic values

SPECIFICATIONS

25°C ambient
Power: 0.6 watts
Voltage (max.): 50V
Tolerance: 1%
Resistance range: 0.010Ω–100Ω
Temperature Coefficient:
 0.1Ω–1Ω: ±90
 1Ω–10Ω: ±50
 10Ω+: ±20
Dielectric Withstanding Voltage:
 1000V
Tape Size: 12mm, 13" reel, 2500 pcs. per reel.

DIMENSIONS



GENERAL NOTES

Other ratings under development.
 Molding material rated at 205°C continuous.
 Ohmite reserves the right to make changes in product specifications and availability without notice or liability.
 The information in this brochure is based on data obtained by our own research and is considered accurate. However, no warranty is expressed or implied regarding the accuracy of those data, the results to be obtained from the use thereof, or that any such use will infringe on any patent. This information is furnished upon the condition that the person receiving it shall make their own tests to determine the suitability thereof for their particular purpose.

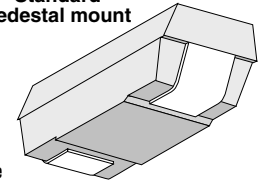
2010 SMD 0.6 Watt Wirewound

Surface Mount Power Resistor



2010 Package

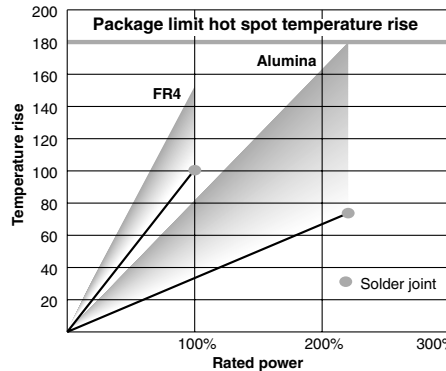
Standard pedestal mount



Series	Wattage	Ohms	Dimensions (in. / mm)			Voltage
			Length	Height	Width	
RW0S6BB	0.6	0.01-100	0.202 / 5.14	0.135 / 3.42	0.1 / 2.54	50

ENVIRONMENTAL TEST DATA

Temp. cycle	(-55°C to 125°C, 1000 cycles)	±0.5%+.05Ω
Load Life	(1000 hours at 25°C)	±3.0%+.05Ω
Immersion	(260°C for 10 sec.)	±0.1%+.05Ω
Momentary Overload	(-55°C to 125°C, 1000 cycles)	
Leaching	(260°C Solder immersion, 60 sec.)	No visible leaching
Thermal Shock	(Units at -55°C, then rated power applied)	No mechanical damage
Flammability	UL Material rating	UL94V0



The temperature rise graph data was obtained by a selection of test substrate size and trace width for each resistor size to limit operating temperatures to safe values.
 The operating temperature safe rises are either 100°C substrate temperature rise or 180°C package hot spot temperature rise at 25°C ambient.
 FR4: 0.062 in. thick; 0.062 in. traces
 Alumina: 0.040 in. thick; 0.010 in. traces
 Engineering data available upon request.

ORDERING INFORMATION

Component type R = resistor	Type of Base S = standard	Package B = 12mm	Package Modifier A, B sequential	Tolerance J = 5%	T = Tape and Reel (optional)
RW0S6BB1K00FET					
Component Modifier W = wirewound N = wirewound, non-inductive	Wattage 0S6 = 0.6W	Resistance Value R = Decimal K = 1,000 M = 1,000,000	Examples: R249 = 0.249 ohms 24R9 = 24.9 ohms 2K49 = 2,490 ohms		
E = RoHS compliant Available Jan. 2006					

STD. PART NUMBERS

Ohms	Part Number	Ohms	Part Number
0.010	RW0S6BBR010FE-	1.00	RW0S6BB1R00FE-
0.015	RW0S6BBR015FE-	2.00	RW0S6BB2R00FE-
0.020	RW0S6BBR020FE-	5.00	RW0S6BB5R00FE-
0.030	RW0S6BBR030FE-	7.50	RW0S6BB7R50FE-
0.050	RW0S6BBR050FE-	10.00	RW0S6BB10R0FE-
0.075	RW0S6BBR075FE-	15.00	RW0S6BB15R0FE-
0.100	RW0S6BBR100FE-	24.00	RW0S6BB24R0FE-
0.240	RW0S6BBR240FE-	36.00	RW0S6BB36R0FE-
0.470	RW0S6BBR470FE-	47.00	RW0S6BB47R0FE-
0.750	RW0S6BBR750FE-	100.00	RW0S6BB100RFE-