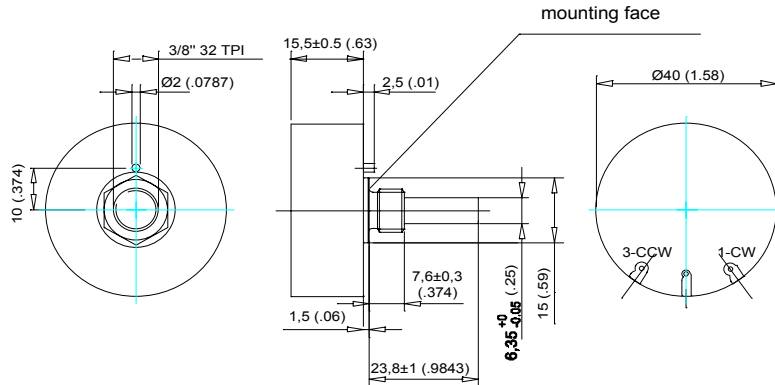


R40W series are semi-precision potentiometers for the universal use as very low cost, medium life preset potentiometers. They are available with several options and provide very good resolution and good rotational life which makes them extremely suitable for industrial applications.

5/8" 3 Watt Wirewound Precision Control



Dimension : metric (inch)



R40W / R40WC available with shaft dia 6mm and metric bushing

- Very low cost semi-precision wirewound potentiometer with good resolution
- Standard resistance range 50Ω to 10KΩ
- Linearity tolerance ± 1% according IEC393
- Electrical angle 270°
- Available with endstops (R40W)
- Without endstops and 360° continuous rotation (R40WC)
- 3 watt power dissipation
- Special operating torque

ELECTRICAL CHARACTERISTICS

Technology	Wirewound
Standard Resistance Values (ohm)	50, 100 , 200, 500, 1K , 2K, 5K , 10K
Standard Resistance Tolerance (%)	± 10
Best possible Resistance Tolerance (%)	± 5
Standard Linearity Tolerance (%)	± 1
Best possible Independent Linearity Tolerance (%)	± 0,75
Type of Linearity (IEC 393)	Independent Linearity
Power Rating	3 W / +40°C (OW / 85°C)
Electrical Travel	270° ± 5° (R40WC), 270° ± 5° with endstops (R40W)
Insulation Resistance	1000 Mohm at 500 VDC
Dielectric Strength	1000 VAC
Noise	<100 Ohm ENR

Resolution R40W / R40WC

Value (ohm)	Z	A (%)
50	211	0.47
100	231	0.43
200	270	0.37
500	399	0.25
1K	511	0.20
2k	464	0.22
5K	652	0.15
10k	908	0.11
20K	1161	0.09

Z = Number of turns
A = Resolution

MECHANICAL CHARACTERISTICS

Mechanical Angle (R40WC)	360° continuous
Mechanical Angle (R40W)	285° ± 5° with endstops
Torque Starting (OZ - In)	1,0
Torque Operating (OZ - In)	0,7
Rotational life (shaft revolutions)	100 000
Bearing Type	Sleeve
Operating Temperature	-30°C to +85°C

MATERIAL

Housing	Thermoplast
Potentiometer shaft with o-ring	Brass nickle plated
Terminals	Phosphorbronze
Bushing	Brass, nickle plated

OPTIONS UPON REQUEST :

- Special resistance values
- Special shafts
- IP65 protection
- With output cable and connectors

The technical data have been established under laboratory conditions and are typical. Operating conditions are different in many applications. The user is therefore responsible for the product application and it is strongly recommended, that he verifies the suitability. Technical liabilities are only accepted with specific written confirmation.