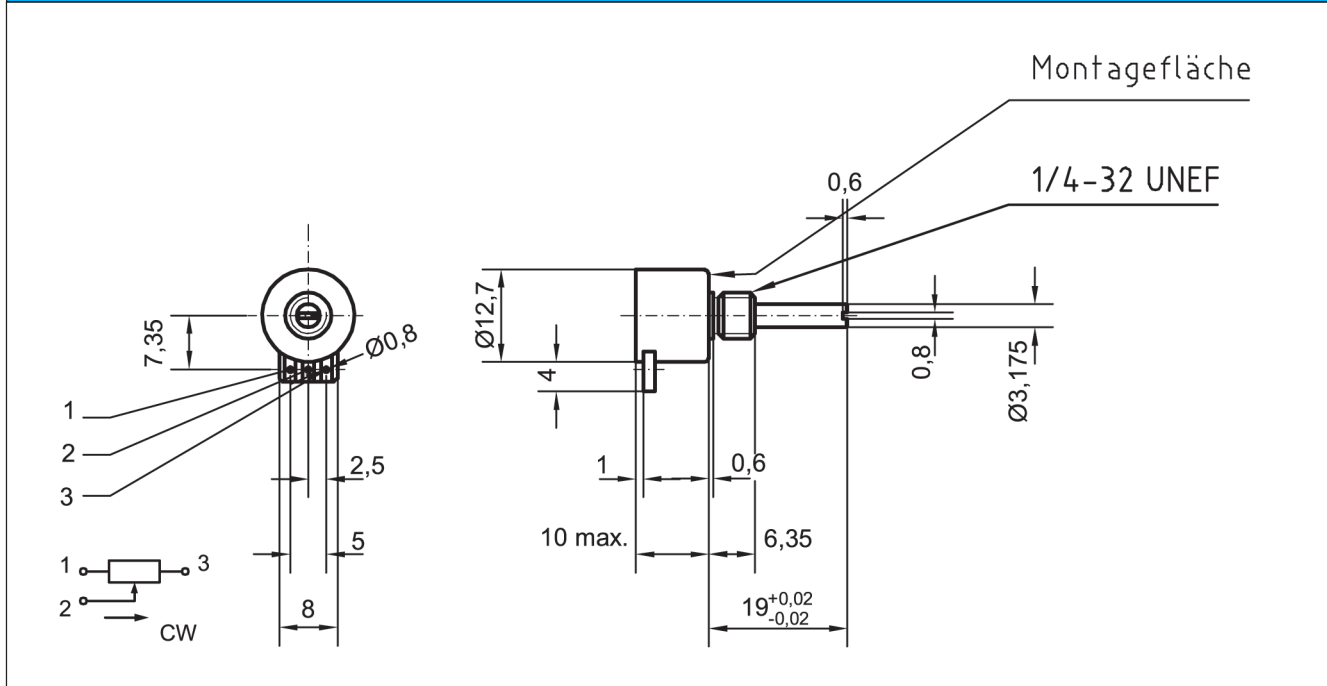


- Body diameter 12 mm
- center bushing
- Life expectancy 1 mio. turns
- custom specific adaptations

Very compact and well priced conductive plastic potentiometer with center bushing.
 Custom specific adaptations:
 Assembling of cables and connectors,
 mounting of gear wheels, etc.



Drawing



| Electrical Specifications | |
|------------------------------|-----------------------|
| Technology | conductive plastic |
| Electrical angle | 300° ±5° |
| Resistance value | 1k...100kOhm |
| Resistance tolerance | ±20% (±10%) |
| Linearity tolerance | ±4% (±2,5%) |
| Power at +70°C (0W at 125°C) | 0,5 W |
| Wiper current | 100 µA] / < 1 |
| Insulation resistance | 1000 MOhm at 500 V DC |

| Mechanical Specifications | |
|---------------------------|-------------------|
| Mechanical angle | 360° without stop |
| Max. speed | |
| Life expectancy (turns) | 1 mio. turns |
| Bearing | sleeve bearing |
| Starting torque | 0,2 Ncm |

| Environmental Specifications and Materials | |
|--|----------------------|
| Housing | Messing vernickelt |
| Shaft | rostfreier Stahl |
| Operating temperature | -55 °C .. +105 °C |
| Storage temperature | ? |
| Protection class | IP40 |
| Mounting parts (included in delivery) | hex nut, lock washer |
| Weight | ? |

| Options and Order Descriptions | | | | | | | | | | |
|---|---------------|-------------|-------------|--------------|--|---|--|--|--|--|
| Description | Optiones | | | | | | | | | |
| | Series | | | | | | | | | |
| Conductive plastic potentiometer | <u>MUP120</u> | | | | | | | | | |
| Resistance value 500 Ohm | | <u>R1k</u> | | | | | | | | |
| Resistance value 1 kOhm | | <u>R5k</u> | | | | | | | | |
| Resistance value 2 kOhm | | <u>R10k</u> | | | | | | | | |
| further resistance values on request | | | | | | | | | | |
| Resistance tolerance ±20 % (Standard) | | | <u>W20%</u> | | | | | | | |
| Resistance tolerance ±10 % | | | <u>W10%</u> | | | | | | | |
| Independent Linearity ±4,0 % (Standard) | | | | <u>L4,0%</u> | | | | | | |
| Independent Linearity ±2,5% | | | | <u>L2,5%</u> | | | | | | |
| Sealing in the front bearing | | | | | | D | | | | |
| Ordering example* | MUS120 | R1K | W20% | L4,0% | | | | | | |

* = **Ordering example:** MUS120, resistance value 1 kOhm, resistance tol. 20% , linearity tol. 4%
 Preference types underlined (from stock)

A wide range of options on request for reasonable prices also for small quantities

Special shaft (length, shape, flat, slot, etc.), o-ring for shaft sealing, sealed housing, special electrical and mechanical angles, tighter tolerances, center tap, mounting of gear wheels and other mechanical parts, assembling of cables and connectors.

Please note

All the specifications and informations in this datasheet can not consider the special demands that are caused by the application. Because of this, they are no general description of the properties of the product. Please consider also our detail specifications.