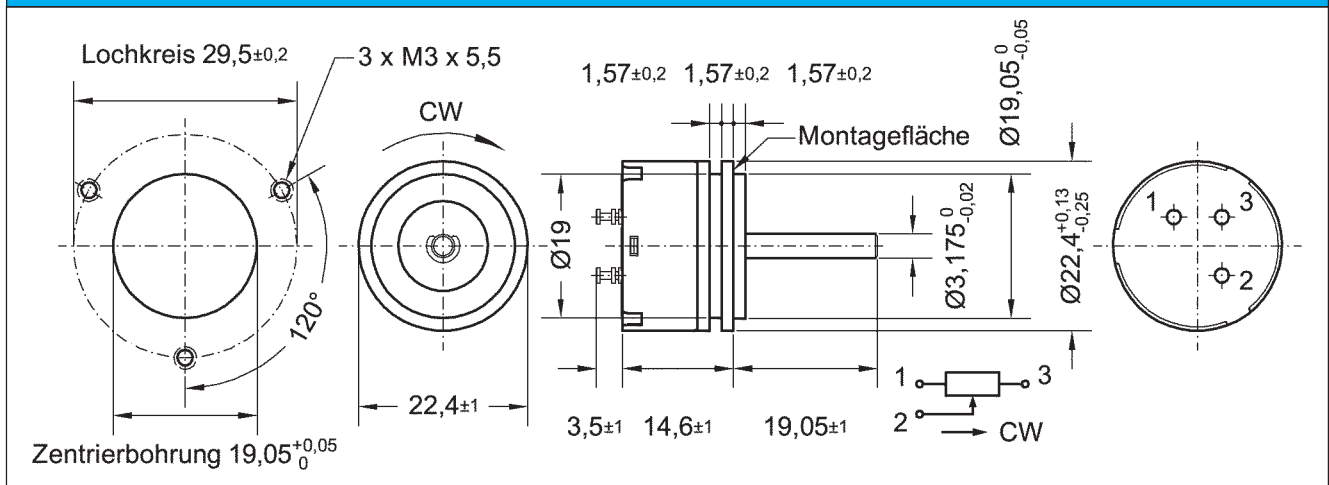


- Body diameter 22 mm, 2 precision ball bearings
- With or without mechanical stop
- Resistance value from 0,5 to 100 kOhm
- Life expectancy 10 million turns
- Custom specific adaptations

The MPAS is a high precision potentiometer. Main application as a sensor in closed loop controls. Sealed shaft (IP65) and body (IP64) possible. Preference types from stock.



## Dimensional Drawing



Electrical Specifications	MPAS20	MPAS21
Technology	conductive plastic	
Electrical angle	340° ±4	320° ±5
Resistance value	0,5..100 kOhm	
Resistance tolerance	±15% (±10%)	
Linearity tolerance	±1% (±0,5%)	
Output smoothness acc. Mil-R-39023	< 0,1%	
Power at +40°C (0 W bei 125°C)	1 W	
Wiper Current	10 µA max. / 2 µA recommended	
Insulation Resistance	1000 MOhm at 500 V DC	

Mechanical Specifications	MPAS20	MPAS21
Mechanical angle	360° without stop	320° ±5° with stop
Max. rotational speed	400 rpm	
Life expectancy	10 million turns	
Bearing	2 precision ball bearings	
Starting torque	0,2 Ncm	
Stopper strength	--	60 Ncm

Environmental Specifications / Materials	
Housing material	engineered plastic
Shaft	stainless steel
Terminals	turrent type
Mounting material (included in delivery)	3 fixing clamps with screws M3x0,5
Operating temperature	-55°C .. +105°C
Protection grade of the shaft (optional)	IP65
Weigth	20 g

Options and Order Descriptons										
Description	Options	Series								
			Conductive plastic without stop	<u>MPAS20</u>						
Conductive plastic with stop		MPAS21								
Resistance value 500 Ohm			R500							
Resistance value 1 kOhm			<u>R1K</u>							
Resistance value 2 kOhm			<u>R2K</u>							
Resistance value 5 kOhm			<u>R5K</u>							
Resistance value 10 kOhm			<u>R10K</u>							
Resistance value 20 kOhm			<u>R20K</u>							
Resistance value 50 kOhm			<u>R50K</u>							
Resistance value 100 kOhm			<u>R100K</u>							
Resistance tolerance ±15 %				W15%						
Resistance tolerance ±10 %				<u>W10%</u>						
Linearity tolerance ±1,0 %					<u>L1,0%</u>					
Linearity tolerance ±0,5%					<u>L0,5%</u>					
Sealing ring in the front bushing						D				
<b>Ordering example*</b>		<b>MPAS20</b>	<b>R1K</b>	<b>W10%</b>	<b>L1%</b>					
<b>Please ask for more options</b>										

Preference types underlined (available from stock)  
 \* = Example: MPAS20, resistance value 1 kOhm, resistance tolerance 10% , linearity tolerance 1%

**A wide range of options on request, for a reasonable price also for small quantities**

Special shaft (shape, flat, slot, etc.), sealing ring in the bushing, sealed housing, special electrical and mechanical angles, tighter tolerances, center tap. Mountig of gear wheels and other mechanical parts. Assembling of cables and connectors

**Please note**

All the specifications and informations in this datasheet can not consider the special demands that are caused by the application. Because of this, they are no general description of the properties of the product. Please consider also our detail specifications.