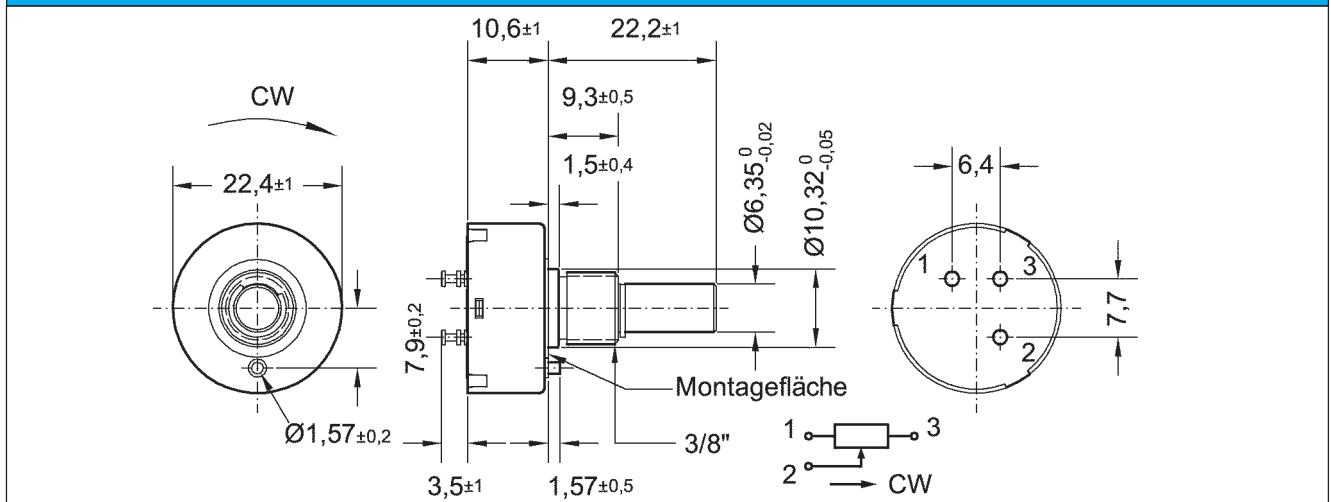


- Body diameter 22 mm (7/8")
- With or without mechanical stop
- Linearity tolerance 1% (0,5%)
- Life Expectancy 10 million turns
- Custom adjustments

High precision, with a very long life and with a wide range of options.  
 Sealed shaft (IP65) and body (IP64) possible.  
 Preference types from stock.



**Dimensional Drawing**



Electrical Specifications	MPA20	MPA21
Technology	Conductive Plastic	
Electrical angle	340° ±4°	320° ±4°
Resistance value	500...100Kohms	
Resistance tolerance	±15 % (±10 opt.)	
Linearity tolerance	±1 % (±0,5 opt.)	
Output smoothness acc. Mil-R-39023	< 0,1 %	
Power at +40°C (0W bei 125°C)	1 W	
Wiper Current	10 µA max. / 2 µA recommended	
Insulation Resistance	1000 Mohm at 500 VDC	

Mechanical Specifications	MPA20	MPA21
Mechanical Angle	360° continuous	320° ±5° with Stop
Max. rotational speed	400 rpm	
Life expectancy	10 million turns	
Bearing	sleeve bearing	
Max. running torque	0,5 Ncm	
Stopper strength	--	60 Ncm
Max. torque for fastening the mounting nut	150 Ncm	

Environmental Specifications / Materials	
Housing material	Engineered plastic
Shaft	Stainless steel
Bushing	Brass
Terminals	Turrent type
Mounting material (included in delivery)	Hex-nut, inner teeth washer
Operating temperature	-55°C .. +105°C
Protection grade	IP65
Weigth	20 g

Options and Order Descriptitons											
Description	Options										
	Series										
Conductive plastic without stop	<u>MPA20</u>										
Conductive plastic with stop	<u>MPA21</u>										
Resistance value 500 Ohm		R500									
Resistance value 1 kOhm		<u>R1K</u>									
Resistance value 2 kOhm		R2K									
Resistance value 5 kOhm		R5K									
Resistance value 10 kOhm		R10K									
Resistance value 20 kOhm		R20K									
Resistance value 50 kOhm		R50K									
Resistance value 100 kOhm		R100K									
Resistance tolerance ±15 %				W15%							
Resistance tolerance ±10 %				<u>W10%</u>							
Linearity tolerance ±1,0 %					L1,0%						
Linearity tolerance ±0,5 %					L0,5%						
Sealing ring in the bushing						D					
<b>Ordering example*</b>	<b>MPA20</b>	<b>R1K</b>	<b>W10%</b>	<b>L1%</b>							
<b>Please ask for more options and fittings</b>											

Preference types underlined (available from stock)  
 \* = Example: MPA20, resistance value 1 kOhm, resistance tol. 10% , lin.Tol. 1%

**A wide range of options on request, for a reasonable price also for small quantities**

Special shaft (length, shape, flat, slot, etc.), sealing ring in the bushing, sealed housing, special elec. amd mech. angels, tighter tolerances, center tap, mountig of gear wheels and other mech. parts, assembling of cables and connectors.

**Please note**

All the specifications and informations in this datasheet can not consider the special demands that are caused by the application. Because of this, they are no general description of the properties of the product. Please consider also our detail specifications.