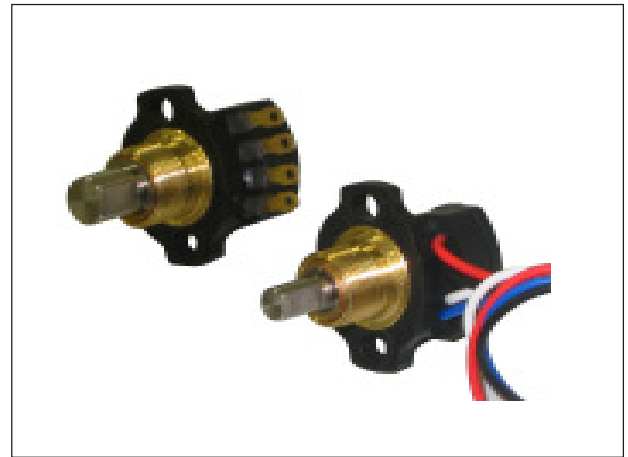
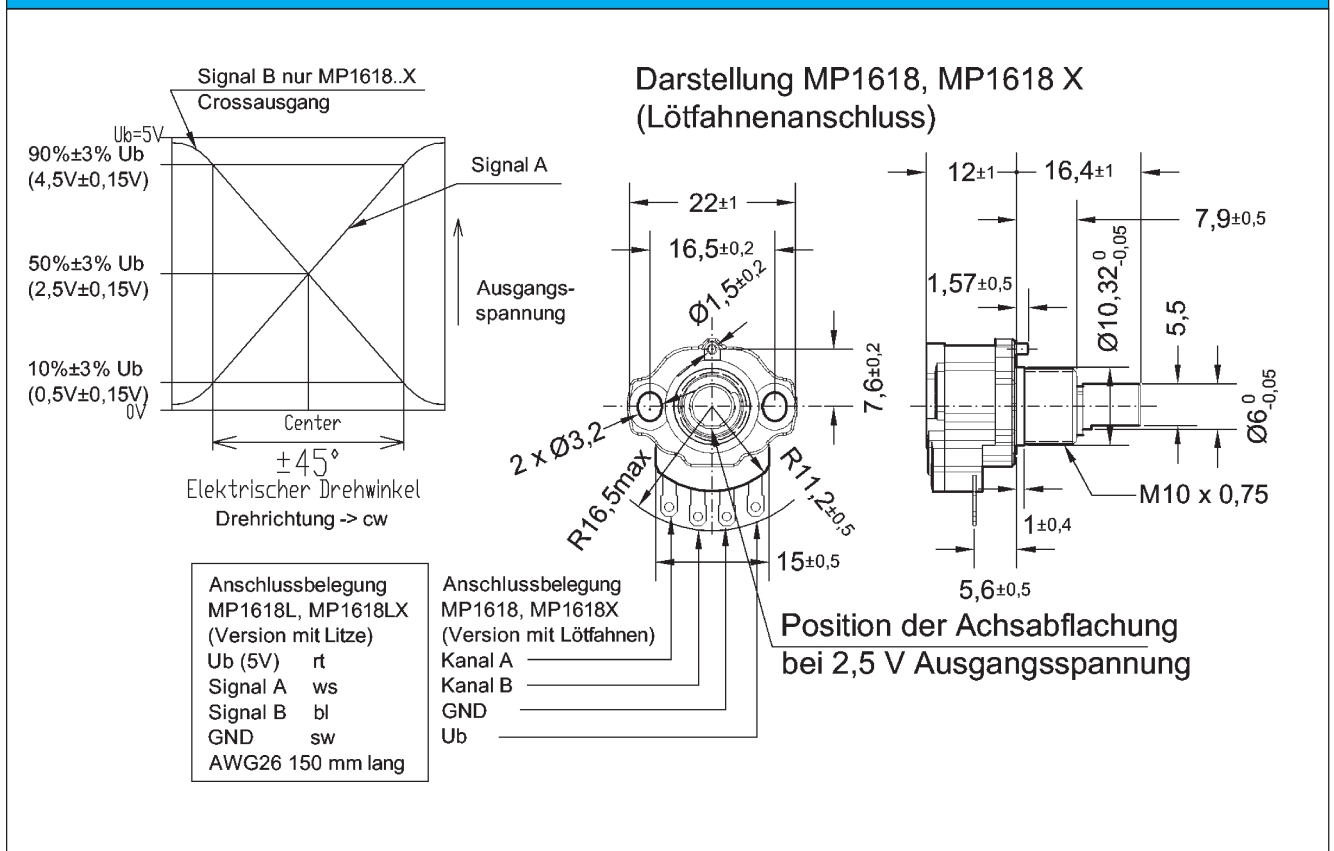


- High life expectancy because of contactless hall-effect technology
- Cross-signal-output for security relevant applications (tandem version with antipodal signal)
- Linearity tolerance $\pm 1,5\%$
- Alternatively with solder lugs or connecting wire
- Special angles on request

A very compact and well-priced sensor.
 Shaft modification already for small quantities possible.
 Standard versions from stock.



Dimensional Drawing



Electrical Specifications	
Technology	hall-sensor
Electrical angle	±45° (90°)
Linearity tolerance	±1,5%
Temperature drift	±2,5% FS
Zero point drift	±0,5% FS
Supply voltage (Ub)	5 VDC ±10%
Power consumption (tandem version)	7 mA (14 mA)
Load resistance	> 100 kOhm
Range of linear output voltage	10...90% Ub

Mechanical Specifications	
Mechanical angle	360° without stop
Maximal rotational speed	400 t/min
Life expectancy (turns)	50 x 10 ⁶
Bearing	sinter-sleeve bearing
Starting torque at 25°C	< 0,2 Ncm
Fastening torque mounting nut	max 150 Ncm

Environmental Specifications and Materials	MP1618, MP1618X	MP1618L, MP1618LX
Housing	plastic	
Shaft	stainless steel	
Terminals	solder lugs	wire (4xAWG26) 150 mm
Mounting parts (included in delivery)	2 x hex-nut, inner teeth washer	
Operating temperature	-40°C .. +105°C	
Protection grade	IP40	
Weigth	15 g	

Options and Order Descriptions												
Description	Options	Series										
			Hall-effect sensor witht solder lugs	MP1618								
Hall-effect sensor with solder lugs tandem, Cross signal output		MP1618X										
Hall-effect sensor with wire		MP1618L										
Hall-effect sensor with wire, fandem, Cross signal output		MP1618LX										
Shaft length (16,4mm = standard)			A...									
Shaft diameter (6mm = standard)				DM...								
Ordering example* (standard)		MP1618										
Ordering example** (special version)		MP1618	A15	DM5								

Example* standard: MP1618, shaft length 16,4 mm, shaft diameter 6 mm

Example** special: MP1618, shaft length 15 mm, shaft diameter 5mm

**Please ask for more options.
Standard version from stock.**

We are able to create custom versions, with a reasonable price even in small quantities

Special shaft (length, shape, flat, slot, etc.), sealed housing, mounting of gear wheels and other mechanical parts.
Assembling of cabels and connectors.

Please note

All the specifications and information in this datasheet can not consider the special demands that are caused by the application. Because of this, they are no general description of the properties of the product. Please consider also our detail specifications.

