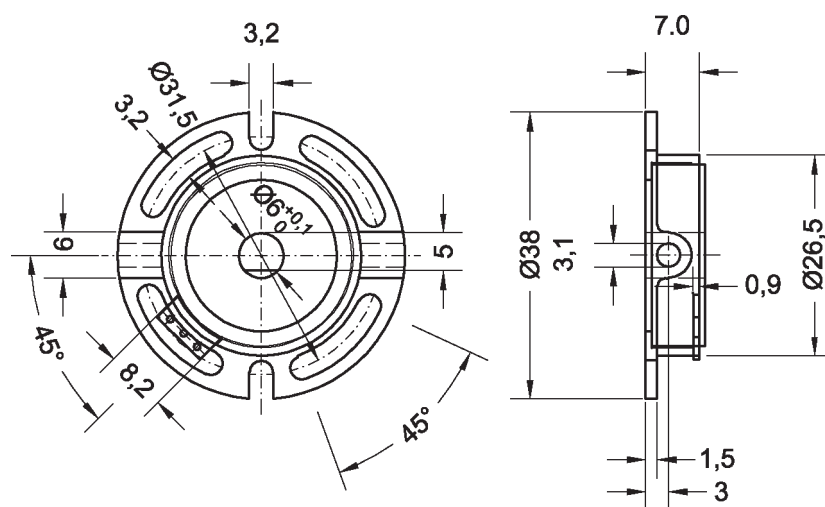


- Fit up aid  $\varnothing$  38 mm
- Potentiometer  $\varnothing$  24 mm
- Resistance value from 1 kOhm to 10 kOhm
- Various mounting options
- Hollow shaft potentiometer



**Dimensioned Drawing**



Electrical Specifications	
Technology	Conductive plastic
Electrical angle	340° ±4°
Resistance values	1, 5, 10 kOhm
Resistance tolerance	20 %
Linearity tolerance	2 %
Power at +40°C (0W at 125°C)	1 W
Wiper current	max. 1 mA / recommended 0,01 mA
Insulation resistance	1000 MOhm

Mechanical Specifications	
Mechanical angle	360°
Max. rotational speed	250 rpm
Life expectancy (turns)	2 mio.
Bearing	sleeve bearing
Starting torque	0,20 Ncm

Environmental Specifications and Materials	
Housing	plastic with brass
Terminals	solder lugs
Operating temperature	-55°C to +105°C
Weigth	ca. 5 g

Options and Order Descriptions										
Options Descriptions	Series									
		Conductive plastic potentiometer without stop	MHP24							
Resistance value 1 kOhm		R1K								
Resistance value 5 kOhm		R5K								
Resistance value 10 kOhm		R10K								
Resistance tolerance ±20 %			W20%							
Linearity tolerance ±2 %				L2%						
<b>Ordering example*</b>	<b>MHP24</b>	<b>R1K</b>	<b>W20%</b>	<b>L2%</b>						

\* = Example: MHP24, resistance value 1 kohm, Resistance tolerance ±20 %, linearity tolerance ±2 %

**Please ask for more options**

Special solutions for reasonable prices also for small quantitis
Special electrical and mechanical angles, tighter tolerances, center tap, assembling of cables and connectors.

Please note
All the specifications and informations in this datasheet can not consider fhe special demands that are caused by the application. Because of this, they are no general description of the properties of the product. Please consider also our detail specifications.

