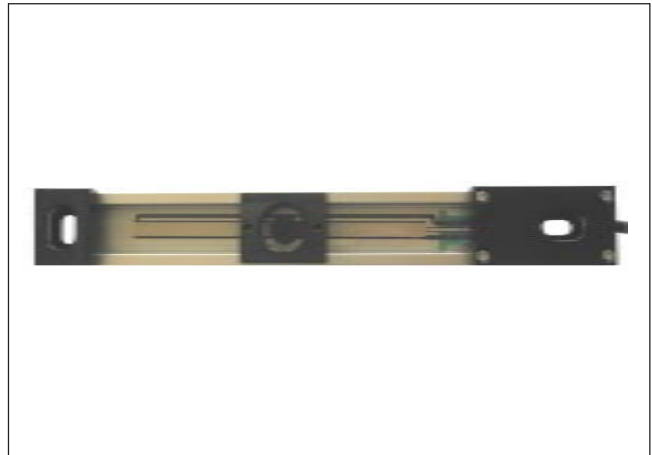
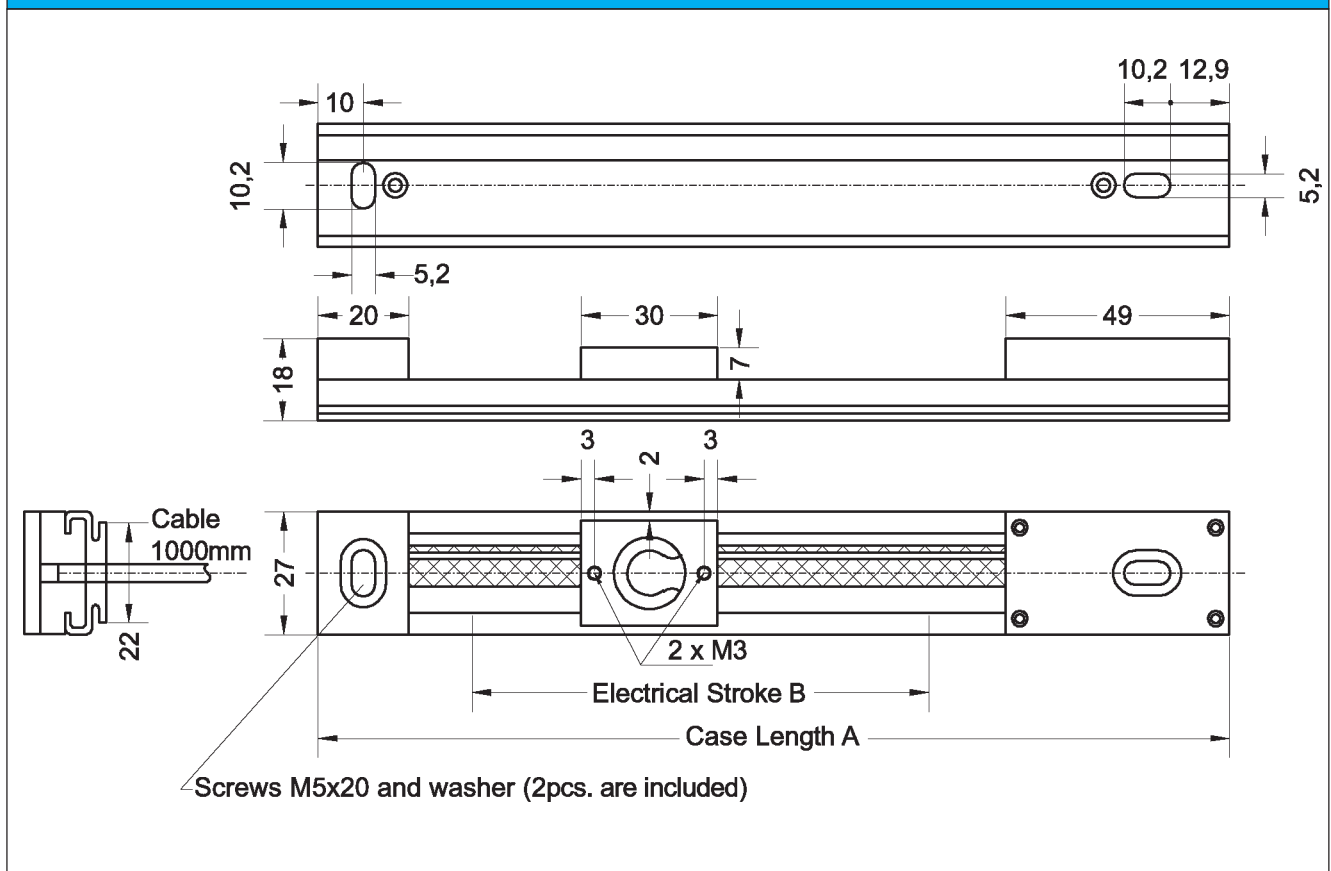


- High resolution (<0,01mm) Conductive Plastic Element
- 50 mm to 500 mm Strokes
- Small Dimensions
- IP X8 (waterproof)
- Cost Effective



Series MBH is characterised by an open housing in aluminium and its small overall dimensions. Completely waterproof (IP X8) and therefore particularly suitable for work whether in humid and wet environments.

Dimensions (mm)



Dimensions in mm							Electrical Connection
Type	MBH50	MBH100	MBH200	MBH300	MBH400	MBH500	
A in mm	150	200	300	400	500	600	
B in mm	50	100	200	300	400	500	

Electrical Specifications	50	100	200	300	400	500
Electrical Stroke [±0,5 mm]	50	100	200	300	400	500
Resistance approx. [kOhm]	1,25	2,5	5	7,5	10	12,5
Resistance Tolerance [%]	30					
Independent Linearity Tol. [%]	< 0,5					
Resolution [mm]	< 0,01					
Power Rating at 40°C [W]	0,25					
Max. Current [mA]	4,4					
Max. Working Voltage [V]	5,5	11	22	33	44	55
Max. Wiper Current [mA]	1					
Recommended Wiper Current [µA]	< 1 (Voltage Divider)					

Mechanical Specifications	50	100	200	300	400	500
Mechanical Stroke [±0,5 mm]	50	100	200	300	400	500
Operating Friction [N]	< 1,2					
Hysteresis [%]	< 0,01					
Weight approx. [g]	110	125	150	175	200	225
Bearing of Cursor	Slide Bearing					
Max. Displacement Speed [m/s]	2					
Lifetime	10 Mio. Movements					
Housing	Aluminium / Plastics					
Connection	cable 1 m					

Environmental Specifications	
Operating Temperatur [° C]	-25...+55
Storage Temperature [° C]	-30...+60
Degree of Protection [IP]	X8 (waterproof - 30min., 0,5m depth)

Options

Mechanical Options: Electrical Options:
 - customized design (length, shape)
 - custom designed cursor
 - various cable lengths

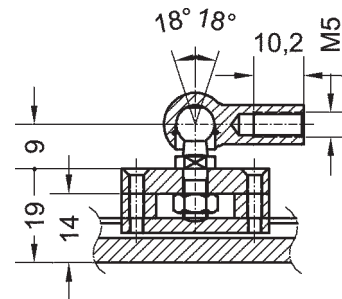
Accessories on Request

- Cursorcap with Ball Joint (Art.Nr. 119819)
- = 1 set includes: cap, pin joint with internal thread M5 x 15 mm and 2 screws M3 x 10 mm

1.) scope of delivery



2.) ball joint and cap mounted



Ordering Example

series	connection	electrical stroke	resistance value	resistance tolerance	linearity tolerance
MBH	K	100	R 2,5 kOhm	W ±30%	L ±0,5%
K= Cable 1m					

Ordering Example: Linear motion potentiometer series MBH, cable length 1m, electrical stroke 100mm, resistance value 2,5 kOhm, resistance tolerance ±30%, independent linearity tolerance ±0,5%

These datasheet specifications and informations can not consider the special customer demands in his application. Any modification may affect the specification of our equipment.