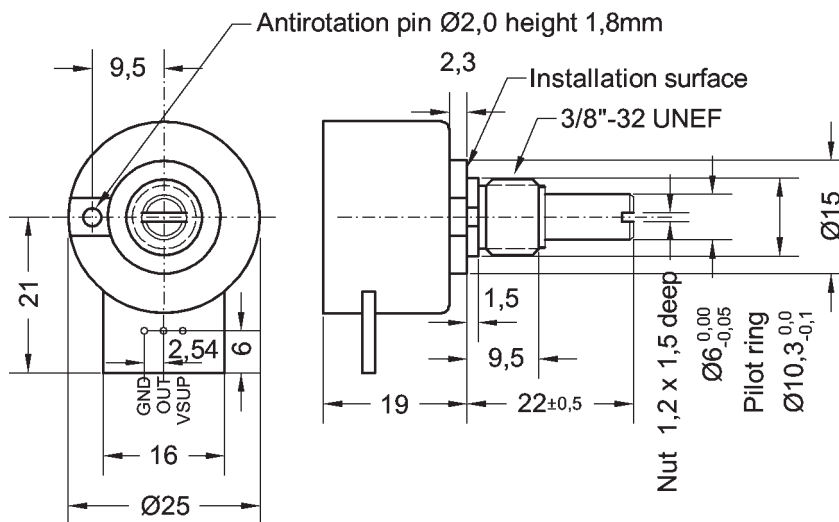


- Range: 360° (other on request)
- 10 bit or 12 bit resolution
- Linearity tolerance $\pm 0,2\%$
- Analog output 0-5V, 0-10V, 4-20mA
- Supply voltage: 5V, 24V
- 25 mm housing diameter
- High life expectancy

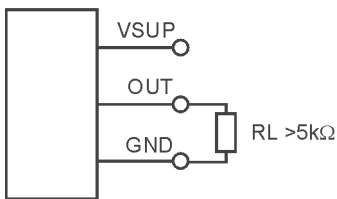
The absolute rotary encoder MAB25A with analog output for inversal purpose with small housing and high life cycle.



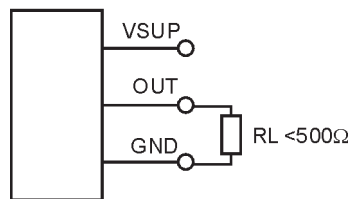
Dimensioned Drawing



Voltage Output



Current Output



Connecting diagram

VSUP	Power supply
OUT	Output
GND	0 V

Electrical specifications	Voltage output		Current output
Electrical angle	360° others on request		
Linearity tolerance	$\pm 0,2\%$		
Resolution	1024 (10 Bit) / 4096 (12 Bit)		
Supply voltage (VDC)	5 $\pm 10\%$	15-30	8-30
Power consumption standard speed (without load)	<10 mA		
Power consumption high speed (without load)	<20 mA		
Output signal	0-5V	0-10V	4-20mA
Update rate position standard / high speed	1,0 / 0,1 ms		
Output resistance (voltage) [Ohm]	> 5K	> 5K	<500

Mechanical specifications	
Rotation angle (without stop)	360°
max. rotating speed	3000 rpm
Life expectancy	50 Mio. rev
max. clamping torque of mounting nut	1 Nm

Ambient specifications	
Protection class	IP40
Operating temperature range	-25°C ... +85°C
Storage temperature range	-25°C ... +85°C
Bearing	Polymer Bearing
Housing material	glass fiber reinforced polyamide
Shaft material	stainless steel
Mounting parts (included in delivery)	hex nut (wrench opening 14), lockwasher
Weight	approx. 20 g

Options and order descriptions

Series	Resolution / Update Speed	Supply-Voltage	Output Signal	Ordering Information
MAB25A	10 Bit High Speed	5V	0 - 5V ratiometric	MAB25A 10HS 0505
		24 V	0 - 10V	MAB25A 10HS 2410
	12 Bit	5V	0 - 5V ratiometric	MAB25A 12 0505
		24V	0 - 10V	MAB25A 12 2410
			4 - 20mA	MAB25A 12 2442

Other options and customer specific versions on request.

Our speciality are extra solutions for reasonable prices

Our specials are: Current interface (0..20mA), special rotation angles, special shafts, mounting of gear wheels and other mechanical parts, assembling of cables and connectors. Please contact us.

Please note

All the specifications and information in this datasheet can not consider the special demands that are caused by the application. Because of this, they are no general description of the properties of the product. Please consider also our detailed specifications.

MEGATRON Elektronik AG & Co. • GB MEGATRON Industriesensoren

Hermann-Oberth-Strasse 7 • D-85640 Putzbrunn/München

Tel. 0049-89 / 460 94-0 • Fax 0049-89 / 460 94-101 • e-mail: sales@megatron.de • www.megatron.de