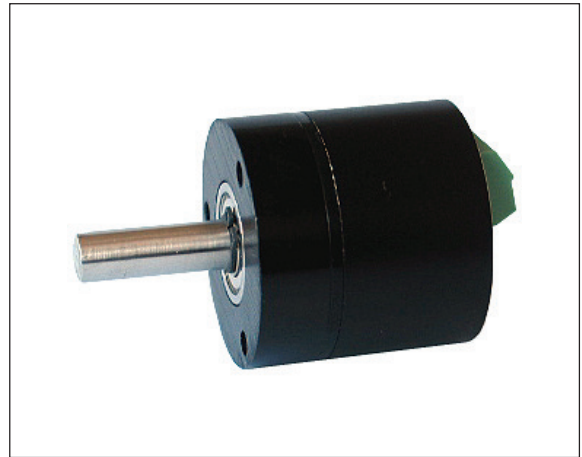
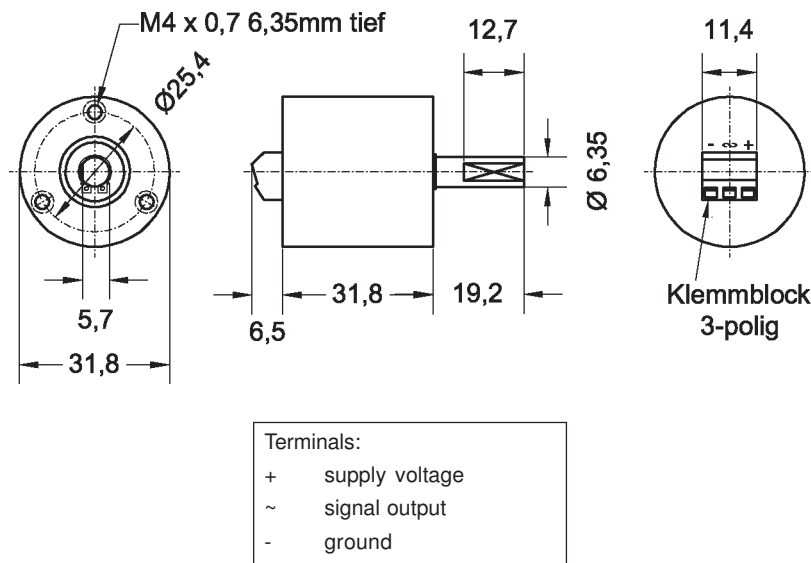


- Resolution 9 bit (512 positions/360°)
- Analog output signal 0-10V
- Miniature absolute encoder ø 32mm
- Operating voltage 12 - 30V
- two precision ball bearings

Der M409A liefert entsprechend der mechanischen Winkelposition (0 - 360°) ein analoges Ausgangssignal von 0 bis 10V. Der breite Versorgungsspannungsbereich von 12 bis 30V und das robuste Aluminiumgehäuse ermöglichen neben dem Einsatz in der Gerätetechnik auch industrielle Anwendungen.



Dimensional Drawing and Interfaces



Electrical Specifications	
Resolution	512 (9 Bit)
Output signal	0 - 10 V
Update-Rate	1 ms
Supply voltage	12 to 30 VDC
Supply current (no load)	<25 mA
Mechanische Daten	
Bearing	ball bearing
Max. mechanical revolution	5000 turns/min.
Angular momentum	10 g cm ²
Starting torque	< 2 Ncm
Weigth	ca. 200 g
Environmental Specifications and Materials	
Protections grade	IP50
Operating temperature	-40°C..+70°C
Storage temperature	-40°C..+80°C
Housing material	Aluminium
Disc material	Plastic
Vibration strength	10g 10Hz...2000Hz
Shock load	maxs 30 g 6ms

Order Description: M409A 6,35 (shaft diameter 6,35 mm), M409A 6,0 (shaft diameter 6,0 mm)
We are able to create custom versions, with a reasonable price even in small quantities
Mounting of gear wheels and other mechanical parts. Assembling of cables and connectors.
Please note
All the specifications and informations in this datasheet can not consider the special demands that are caused by the application. Because of this, they are no general description of the properties of the product. Please consider also our detail specifications.

