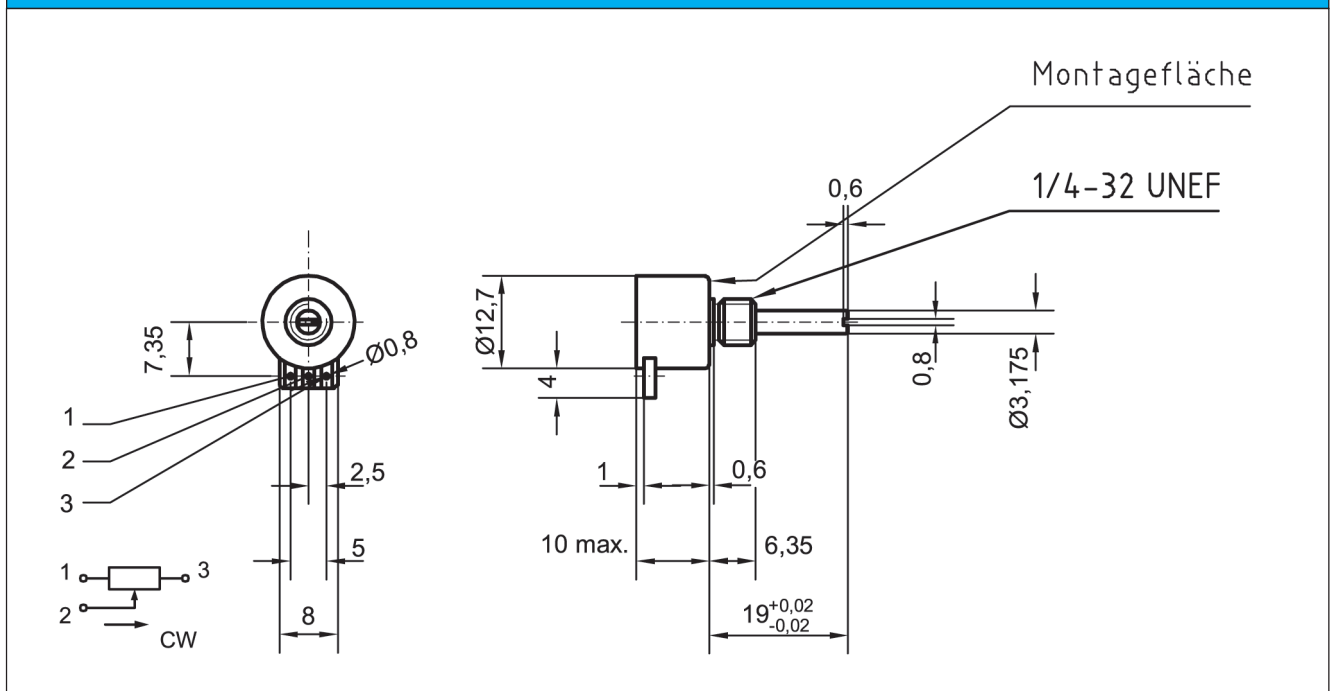


- Body diameter 12 mm
- center bushing
- Life expectancy 1 mio. turns
- custom specific adaptations

Very compact and well priced conductive plastic potentiometer with center bushing.
 Custom specific adaptations:
 Assembling of cables and connectors,
 mounting of gear wheels, etc.



Drawing



Electrical Specifications	
Technology	conductive plastic
Electrical angle	300° ±5°
Resistance value	1k...100kOhm
Resistance tolerance	±20% (±10%)
Linearity tolerance	±4% (±2,5%)
Power at +70°C (0W at 125°C)	0,5 W
Wiper current	100 µA] / < 1
Insulation resistance	1000 MOhm at 500 V DC

Mechanical Specifications	
Mechanical angle	360° without stop
Max. speed	
Life expectancy (turns)	1 mio. turns
Bearing	sleeve bearing
Starting torque	0,2 Ncm

Environmental Specifications and Materials	
Housing	Messing vernickelt
Shaft	rostfreier Stahl
Operating temperature	-55 °C .. +105 °C
Storage temperature	?
Protection class	IP40
Mounting parts (included in delivery)	hex nut, lock washer
Weight	?

Options and Order Descriptions										
Description	Optiones									
	Series									
Conductive plastic potentiometer	<u>MUP120</u>									
Resistance value 500 Ohm		<u>R1k</u>								
Resistance value 1 kOhm		<u>R5k</u>								
Resistance value 2 kOhm		<u>R10k</u>								
further resistance values on request										
Resistance tolerance ±20 % (Standard)			<u>W20%</u>							
Resistance tolerance ±10 %			<u>W10%</u>							
Independent Linearity ±4,0 % (Standard)				<u>L4,0%</u>						
Independent Linearity ±2,5%				<u>L2,5%</u>						
Sealing in the front bearing					D					
Ordering example*	MUS120	R1K	W20%	L4,0%						

* = **Ordering example:** MUS120, resistance value 1 kOhm, resistance tol. 20% , linearity tol. 4%
 Preference types underlined (from stock)

A wide range of options on request for reasonable prices also for small quantities

Special shaft (length, shape, flat, slot, etc.), o-ring for shaft sealing, sealed housing, special electrical and mechanical angles, tighter tolerances, center tap, mounting of gear wheels and other mechanical parts, assembling of cables and connectors.

Please note

All the specifications and informations in this datasheet can not consider the special demands that are caused by the application. Because of this, they are no general description of the properties of the product. Please consider also our detail specifications.

