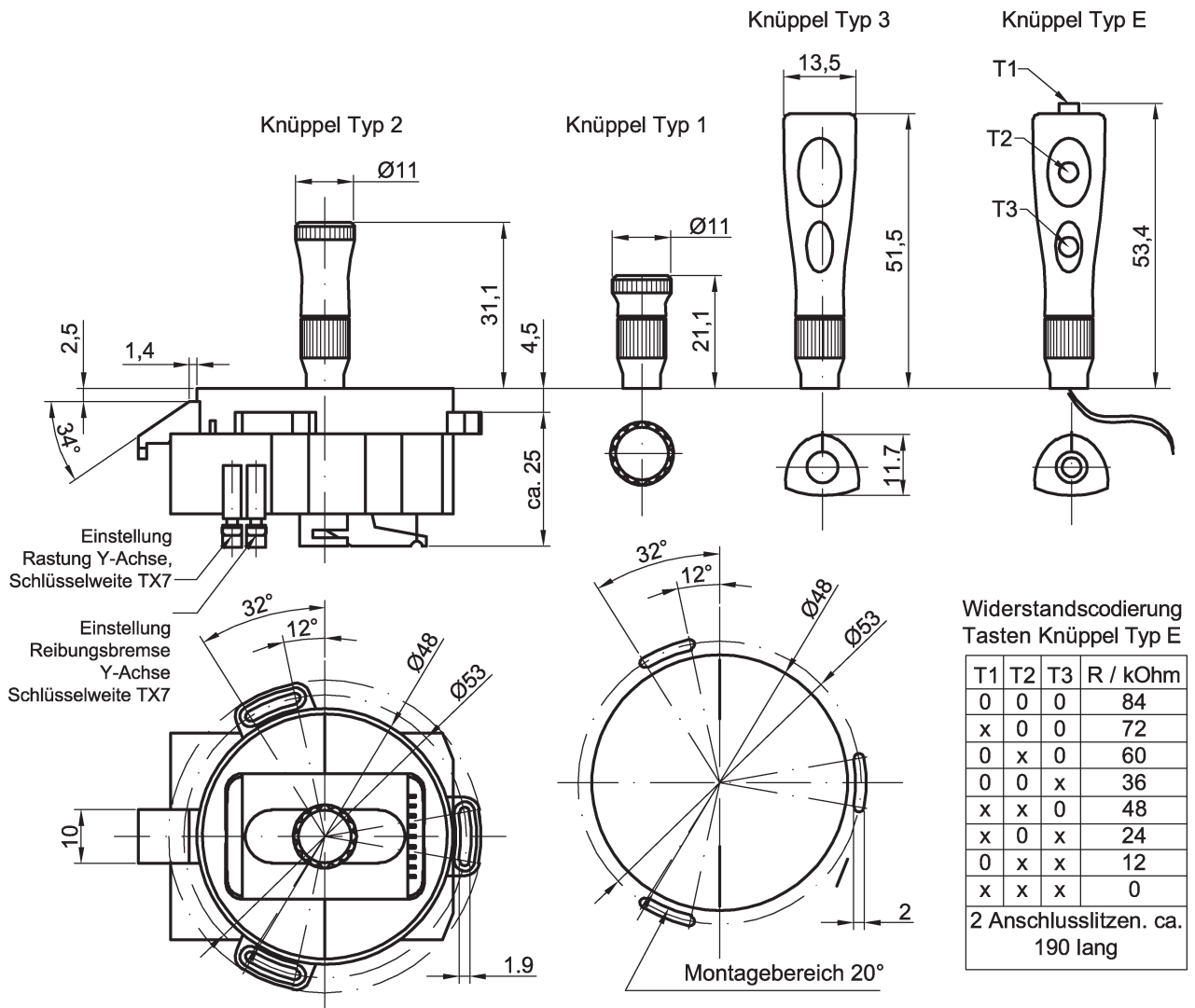


806 - Miniature Joystick

- 2 axes, reasonable priced handle with round bezel
- optional handle with 3 buttons
- adjustable register Y- Axis
- adjustable friction clutch Y- Axis
- shapely design
- ergonomically designed handle



Dimensions



Technical Data

Mechanical Data

Deflection X-, Y-Axis	±30°
Reset accuracy	±2%
Weigth	ca. 55 g
Operating force	< 1,2 N (handle type 1)
Life expectancy (movements)	typically 100.000

Potentiometer Data

Pot A

Technology resistor elements	carbon film
Resitance value	5 kOhm
Resistance tolerance	±20 %
Linearity tolerance	±5 %
Operating temperature	-10°C ..+55°C
Power at 70 °C	0,1 W
Electrical angle	215°
Bearing	sleeve bearing
Max. live expectancy (turns)	typ. 100.000
Max. wiper current	1 mA
Max. operating voltage	20 V DC

Button Data

Handle type E	Resistance encoded function in 12 kOhm steps acc. sketch
---------------	--

Ordercode and Options

	Series	Function	Bezel	Reset Device	Handle	Trim	Sensor
Joystick potentiometric	806						
2 Axis (x / y)		2					
2 Axis (x / y) and 3 buttons		3					
None			0				
With spring return				1			
Handle type 1					1		
Handle type 2					2		
Handle type 3					3		
Handle type E with 3 buttons					E		
Without trim				0			
Potentiometer type A							A

The herewith stated data can not describe the product character or property due to the various application specialities.