

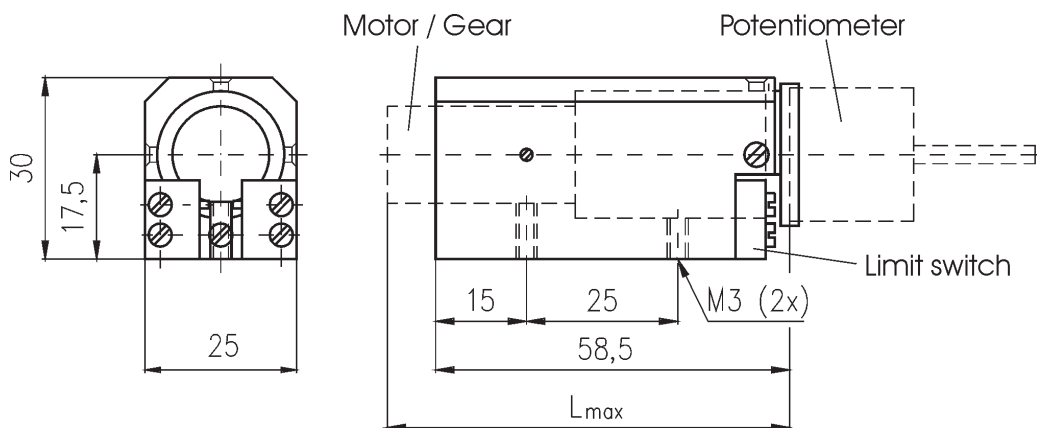
# Motorized potentiometer Type 350/E

- plate assembly
- with protection clutch
- single-turn (350, 350E) and multi-turn potentiometer (350)
- durable aluminium housing
- two limit switches (350E)



The motorized potentiometer system 350 is suitable for the employment on plates. The system 350E possesses additional integrated limit switches.

## Dimensioned drawing



Motor Gear	Time for 360° revolution in s				
	15055 6 V	15040 12 V	15024 24 V	15257 6 V	15255 12 V
16041	0,161	0,161	0,195	0,189	0,203
16076	0,284	0,283	0,36	0,35	0,37
16141	0,51	0,51	0,66	0,64	0,68
16262	0,93	0,93	1,22	1,18	1,26
16485	1,71	1,71	2,25	2,18	2,33
16900	3,16	3,16	4,16	4,04	4,33
16167	5,85	5,85	7,72	7,48	8,02
16312	10,8	10,8	14,3	13,9	14,9
16575	20,1	20,1	26,6	25,8	27,6
16106	37,3	37,3	49,3	47,8	51,3
16198	69,1	69,1	91,5	88,7	95,1
16370	128	128	170	165	177
16682	238	238	315	306	328
16128	442	442	585	568	608
16235	820	820	1085	1053	1128

Potentiometer	Properties
260	Wire wound
S11	Wire wound, servomount
RP19	Wire wound, with mech. stop
RP22	Wire wound, without mech. stop
RP23	Wire wound, with mech. stop
MCP22	conductive plastic, servomount
MCP30	conductive plastic, servomount
MCP40	conductive plastic, servomount
AL17xx	Multi-turn, wire wound
AL24xx	Multi-turn, Hybrid
AL25xx	Multi-turn, wire wound
ACxx	Multi-turn, wire wound
21xx	Multi-turn, wire wound