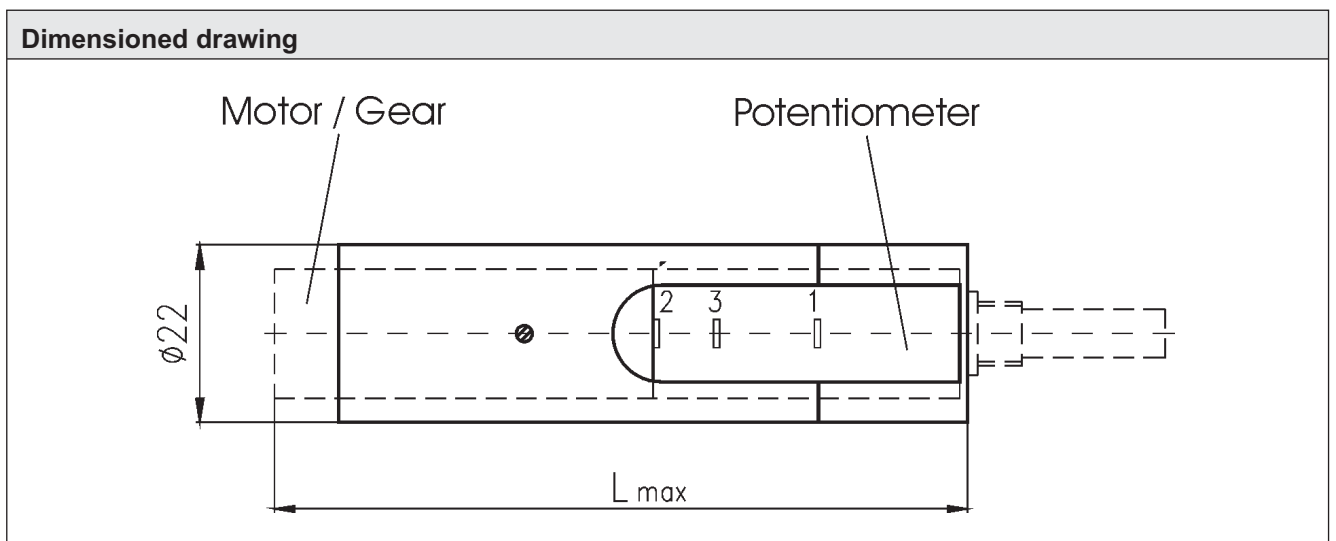


Motorized potentiometer Type 275

- front panel mouting
- with protection clutch
- multi-turn potentiometer
- durable aluminium housing



The motorized potentiometer system 275 was developed for the installation in front plates. In addition there are also suitable adjusting knobs (see accessories).



Time for 360° revolution in s					
Motor Gear	15055 6 V	15040 12 V	15024 24 V	15257 6 V	15255 12V
16041	0,161	0,161	0,195	0,189	0,203
16076	0,284	0,283	0,36	0,35	0,37
16141	0,51	0,51	0,66	0,64	0,68
16262	0,93	0,93	1,22	1,18	1,26
16485	1,71	1,71	2,25	2,18	2,33
16900	3,16	3,16	4,16	4,04	4,33
16167	5,85	5,85	7,72	7,48	8,02
16312	10,8	10,8	14,3	13,9	14,9
16575	20,1	20,1	26,6	25,8	27,6
16106	37,3	37,3	49,3	47,8	51,3
16198	69,1	69,1	91,5	88,7	95,1
16370	128	128	170	165	177
16682	238	238	315	306	328
16128	442	442	585	568	608
16235	820	820	1085	1053	1128

Potentiometer	Properties
AL20xxRA	Multi-turn, wire wound
AL24xxRA	Multi-turn, Hybrid
ACxxRA	Multi-turn, wire wound

Order references:

- the potentiometers specified here can be ordered in tandem version.
- all potentiometers need the option rear axle.