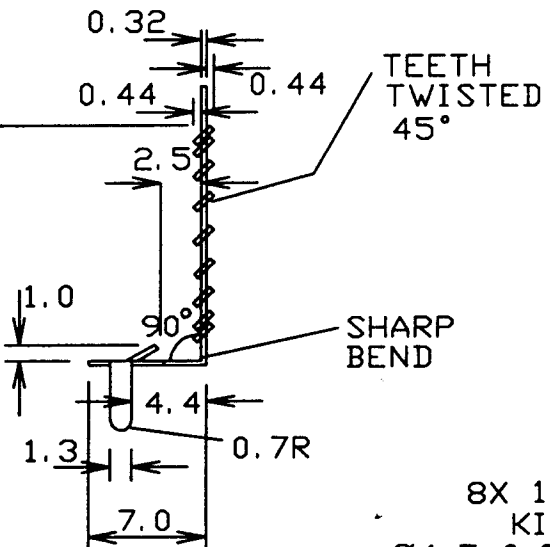
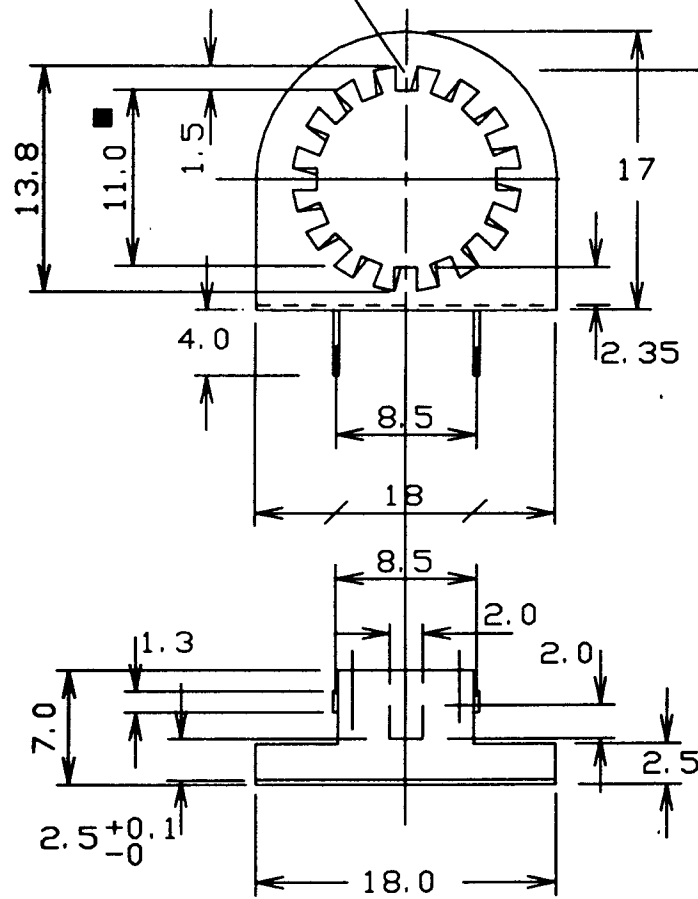
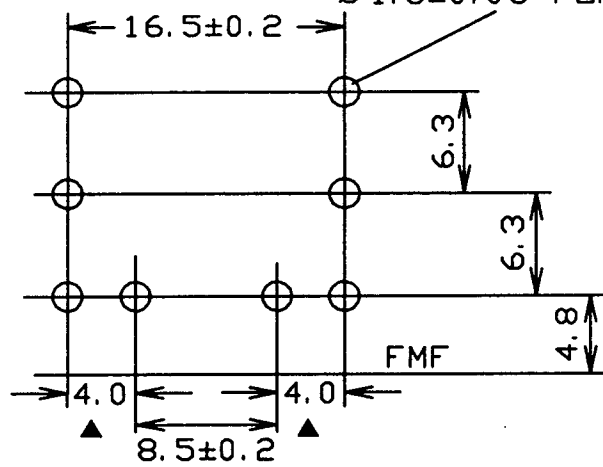


ISS.	AMEND	DATE
1.	1ST DRAWN	4/5/94
2.	TEETH CHANGED	28/6/94
3.	▲ 4mm WAS 5mm	30/6/94
4.	16 TEETH WAS 20	6/7/94
5.	■ 11.0 WAS 10.8	14/7/94
6.	SEE MOD 0214	12/8/96

16 TEETH 1.335 WIDE



8X 1.6Ø FOR NON KINKED LEGS  
Ø 1.5±0.05 FOR KINKED



PC MOUNTING DETAIL

TOLERANCE	
NO DEC. PLACE	± 0.25
1 DEC PLACE	± 0.1
2 DEC PLACE	±
DIA OF HOLES	±
ANGLES	± 1°
UNLESS OTHERWISE STATED	

WHERE USED F.R.

DIMENSIONS IN MILLIMETRES UNLESS OTHERWISE STATED. WORK TO DIMENSIONS. DO NOT SCALE DRAWING. 3rd ANGLE PROJECTION. REMOVE BURRS.

SCALE N.T.S.

Cliff Electronic Components, Inc.  
4876 East Second Street, Benicia, CA 94510 USA  
Tel: (707) 746 8090 Fax: (707) 746 8092

MATERIAL MS 0.32mm THK	
FINISH TIN PLATED (MUST BE SOLDERABLE)	
DRAWN C.A.M.J.	APPD. R.W.T.

TITLE	<b>EARTHING WASHER FOR S2/S4 J/SKT</b>	
DRWG. No.	<b>CL 14422</b>	FORM: A4DRWGH