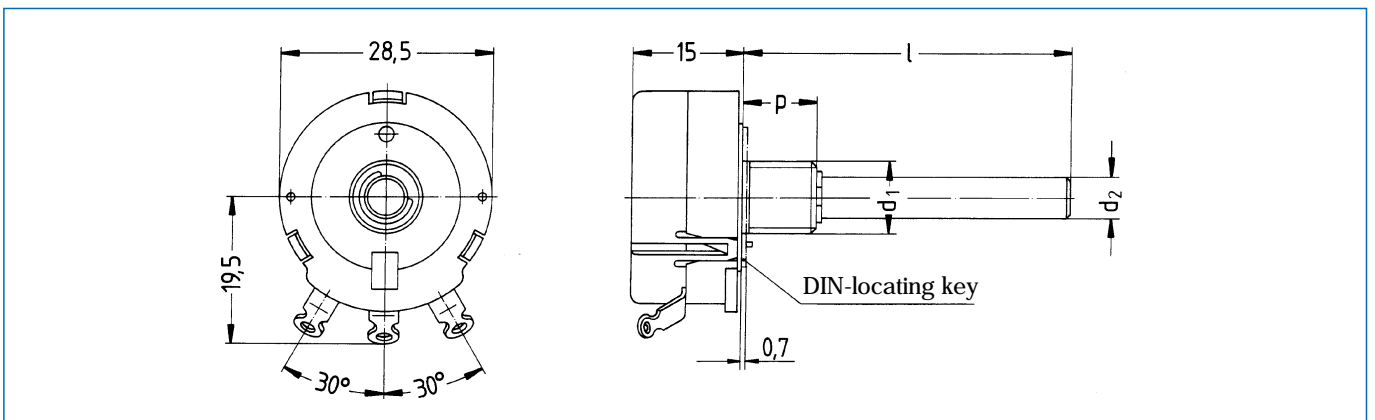
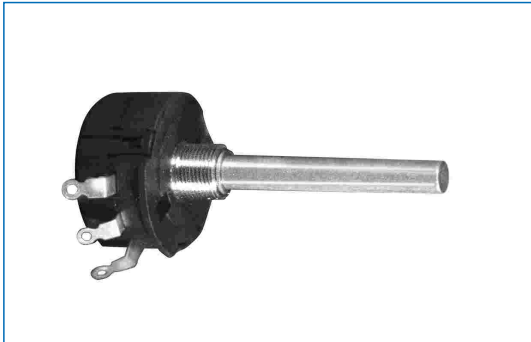


## Series ABW 2

Ordering code no.: 31 143 .....

Type ABW 2 / N

Basic design: encased, nominal width 28,5 mm, solder tag terminals



### Technical data

Rated resistance range:  
Resistance tolerance:

5 Ω - 22 kΩ  
± 10 % (< 10 Ω ± 20 %)  
on request ± 5 %, ± 2 %

Law (resistance taper):  
Independent linearity:

lin (lg on request)  
± 2 % (on request ± 1 %)

Rated dissipation:

2 W / 40°C

Limiting element voltage:

300 V

Isolation voltage:

1 kV ~

Temperature range:

- 40°C to + 90°C

Temperature coefficient:

see table

Insulation resistance:

1 GΩ

Electrical travel:

270° ± 5°

Mechanical travel:

300° ± 5°

Operating torque:

0,7 - 2,5 Ncm

End stop torque:

100 Ncm

Durability:

10 000 cycles

### Spindles

- Metal
- End of spindle according to customer specification (length, flat)

l (mm)	p (mm)	d <sub>2</sub> (mm)	d <sub>1</sub>
standard 50	10	6	M9 x 0,75

### Temperature coefficient and resolution

R <sub>N</sub>	10 Ω	22 Ω	47 Ω	100 Ω	220 Ω	470 Ω	1 kΩ	2,2 kΩ	4,7 kΩ	10 kΩ	22 kΩ
TC-value ppm / °C	+ 400	+ 400	+ 400	+ 400	+ 40 - 80	+ 40 - 80	+ 40 - 80	+ 40 - 80	+ 40 - 80	+ 140	+ 140
Resolution %	1	0,68	0,59	0,41	0,35	0,29	0,3	0,2	0,12	0,17	0,12

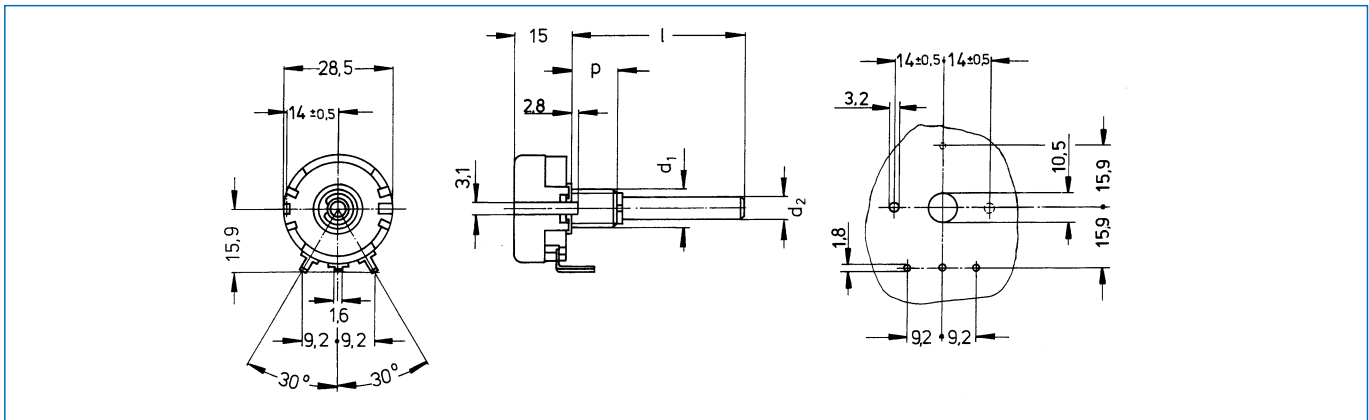
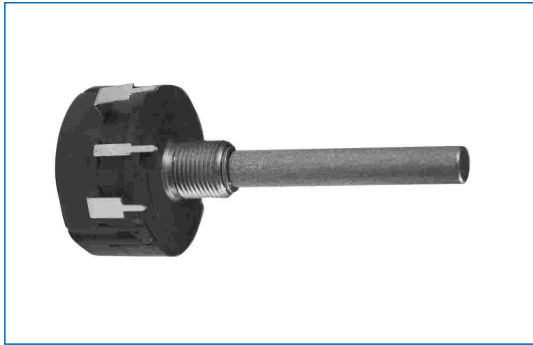
Technical details subject to change

## Series ABW 2

Ordering code no.: 31 143 .....

Type ABW 2 / N / PCV

Basic design: encased, nominal width 28,5 mm, terminals for printed circuit board



### Technical data

Rated resistance range:  
Resistance tolerance:

5 Ω - 22 kΩ  
± 10 % (< 10 Ω ± 20 %)  
on request ± 5 %, ± 2 %  
lin (lg on request)  
± 2 % (on request ± 1 %)

Law (resistance taper):  
Independent linearity:  
Rated dissipation:  
Limiting element voltage:  
Isolation voltage:  
Temperature range:  
Temperature coefficient:  
Insulation resistance:  
Electrical travel:  
Mechanical travel:  
Operating torque:  
End stop torque:  
Durability:

2 W / 40 °C  
300 V  
1 kV ~  
- 40 °C to + 90 °C  
see table  
1 GΩ  
270° ± 5°  
300° ± 5°  
0,7 - 2,5 Ncm  
100 Ncm  
10 000 cycles

### Spindles

- Metal
- End of spindle according to customer specification (length, flat)

l (mm)	p (mm)	d <sub>2</sub> (mm)	d <sub>1</sub>
standard 50	8	6	M10 x 0,75

### Temperature coefficient and resolution

R <sub>N</sub>	10 Ω	22 Ω	47 Ω	100 Ω	220 Ω	470 Ω	1 kΩ	2,2 kΩ	4,7 kΩ	10 kΩ	22 kΩ
TC-value ppm / °C	+ 400	+ 400	+ 400	+ 400	+ 40 - 80	+ 40 - 80	+ 40 - 80	+ 40 - 80	+ 40 - 80	+ 140	+ 140
resolution %	1	0,68	0,59	0,41	0,35	0,29	0,3	0,2	0,12	0,17	0,12

Technical details subject to change